

Product-Datasheet KSAE-DR-C

Ball valve with swiveling SAE-flanges



von Scheven

Armaturenfabrik und Apparatebau

E	V44
	001
	state 08/06

Rudolf von Scheven GmbH
Wuppertaler Str. 10-12 45549 Sprockhövel
www.von-scheven.com

Tel. + 49 (0)23 24 / 97 42 - 0
Fax + 49 (0)23 24 / 97 42 - 10
eMail sales@von-scheven.com

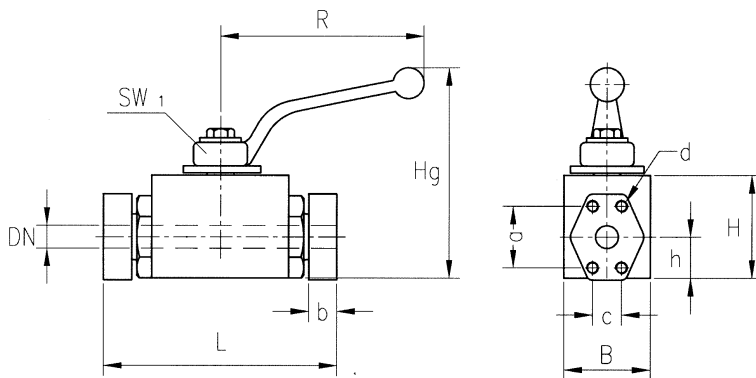
Ball valve with swiveling SAE-flanges steel

DN 15 - 80
PN max. 420 bar



type serie

68 – with turnable SAE-Flanges 3000 psi on both sides
69 – with turnable SAE-Flanges 6000 psi on both sides



Technical data type series 68 (with turnable SAE-Flanges 3000 psi on both sides)

DN	PN	a	b	c	h	d	B	H	R	L	Hg	SW1	weight (kg)
14 – 1/2"	210	38,10	16	17,48		M8							on request
20 – 3/4"	210	47,63	16	22,23		M10							
25 – 1"	210	52,37	19	26,19	31	M10	55	65	160	151	113	10	
32 – 1 1/4"	210	58,72	18	30,18	38	M10	Ø76	-	250	151	117	17	
40 – 1 1/2"	210	69,85	20	35,71	45	M12	Ø90	-	250	170	121	17	
50 – 2"	210	77,77	20	42,88	50	M12	Ø100	-	300	190	118	17	
65 – 2 1/2"	210	88,90	20	50,80	66,5	M12	Ø133	-	300	175	217	17	
80 – 3"	210	106,38	24	61,93		M16							auf Anfrage

Note! The pressure range of the flange connection may differ from the nominal pressure of the ball valve.

Technical data type series 69 (with turnable SAE-Flanges 6000 psi on both sides)

DN	PN	a	b	c	h	d	B	H	R	L	Hg	SW1	weight (kg)
14 – 1/2"	420	40,49	16	18,24		M8							on request
20 – 3/4"	420	50,80	19	23,80	25	M10	45	55	130	118	95	10	
25 – 1"	420	57,15	24	27,76	32	M12	55	65	160	150	115	10	
32 – 1 1/4"	420	66,68	27	31,75	38	M14	Ø76	-	250	170	117	17	
40 – 1 1/2"	420	79,38	30	36,50	45	M16	Ø90	-	250	204	121	17	
50 – 2"	420	96,82	28	44,45	50	M20	Ø100	-	300	200	118	17	
65 – 2 1/2"	420	123,80	45	58,80		M24							on request

Note! The pressure range of the flange connection may differ from the nominal pressure of the ball valve.

Ordering example: ball valve Type KSAE-DR-C DN20 with SAE-flange connection on both sides 3000 psi
⇒ KSAE-DR-C 20 69

Product-Datasheet KSAE-DR-C

Ball valve with swiveling SAE-flanges



von Scheven

Armaturenfabrik und Apparatebau

E	V44
	001
	state 08/06

Rudolf von Scheven GmbH
Wuppertaler Str. 10-12 45549 Sprockhövel
www.von-scheven.com

Tel. + 49 (0)23 24 / 97 42 - 0
Fax + 49 (0)23 24 / 97 42 - 10
eMail sales@von-scheven.com

Ball valve with swiveling SAE-flanges steel

DN 15 - 80
PN max. 420 bar



Technical description

The ball valve type KSAE-DR-C consists of a forged body with a screwed-in connector with a male thread on both sides. Because of the thread connection the flanges are turnable. Up to DN25, the spindle is screwed into the body from outside. Because of the used fitting, the spindle seal can easily be changed. A spindle seal acc. to TA-Luft is serial from DN32 and above. Up to DN 25, it can be installed for an additional charge. The use of an actuator is possible with an extension set. This expandability is serial. Up to DN25, the use of an actuator is only possible for block bodies with a drilled hole pattern.

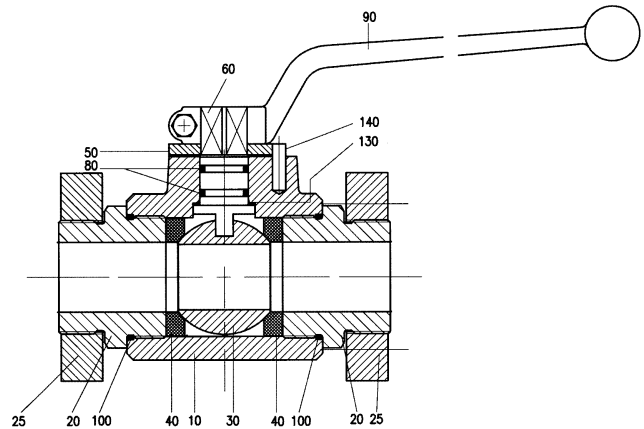
Application area

For non-aggressive fluids and gases. Furthermore, the resistiveness against the flow medium generally has to be given.

Allowed operating temperature: -10 °C up to +90 °C

Differing temperatures on request.

Bill of materials			
Pos.	name	material	Wnr./DIN
10	body	P250GH	1.0460
20	connector	S355J2G3	1.0570
30	ball	11SMn30	1.0715
40	seal	POM	
50	stop washer	steel	
60	spindle	11SMn30	1.0715
80	o-ring	NBR	
90	hand-lever	Z410	
100	o-ring	NBR	
140	stop pin		DIN EN ISO 8740



Depending on the design, not all positions are used with every nominal diameter. In special types, several parts may be made of different materials. Flanged ball valves with turnable flanges are available in DN 15 up to DN 50.

In case of very low working pressure, use the low-pressure type with modified seals.

If you have other demands, different from the here specified standard operational conditions, please feel free to request them separately.

The operating and maintenance manual and in particular the safety instructions have to be followed. They can be downloaded from www.von-scheven.com, as well as certificates and approvals.

All dimensions in mm.
Technical changes reserved.