

# Product-Datasheet KFB-D

Stainless steel – flanged ball valve  
with ANSI/ASME- flange connection



**von Scheven**

Armaturenfabrik und Apparatebau

E	V42
	001
	state 08/09

Rudolf von Scheven GmbH  
Wuppertaler Str. 10-12 45549 Sprockhövel  
www.von-scheven.com

Tel. + 49 (0)23 24 / 97 42 - 0  
Fax + 49 (0)23 24 / 97 42 - 10  
eMail sales@von-scheven.com

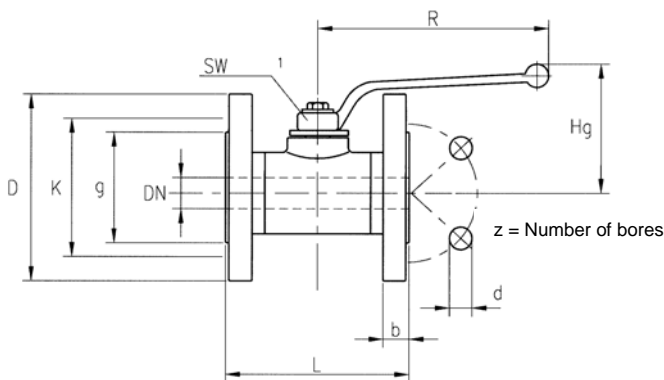
Stainless steel –  
flanged ball valve with  
ANSI/ASME-flange con-  
nection  
DN 15 - 200



**face-to-face length**  
KFB – acc. to ANSI B 16.10

**type series**  
50 - flanges acc. to ANSI/ASME B16.5 Class 150  
51 - flanges acc. to ANSI/ASME B16.5 Class 300  
53 - flanges acc. to ANSI/ASME B16.5 Class 600

**approvals**  
TA-Luft



Technical data type series 50 (Flange acc. to ANSI B16.5 Class 150 – plain raised face)

DN mm	DN Zoll	L	D	g	K	b	z	d	Hg	R	SW1	weight (kg)
15	1/2	108	88,9	34,9	60,3	11,1	4	15,9	69	130	10	2,4
20	3/4"	117	98,4	42,9	69,8	12,7	4	15,9	71	160	10	3,3
25	1"	127	107,9	50,8	79,4	14,3	4	15,9	105	160	10	4,4
32	1 1/4"	140	117,5	63,5	88,9	15,9	4	15,9	117	250	17	6,7
40	1 1/2"	165	127	73,0	98,4	17,5	4	15,9	121	250	17	8,2
50	2"	178	152,4	92,1	120,6	19,0	4	19,0	128	250	17	11,2
65	2 1/2"	190	177,8	104,8	139,7	22,2	4	19,0	158	250	17	21,2
80	3"	203	190,5	127,0	152,4	23,8	4	19,0	182	350	22	27,3
100	4"	229	228,6	157,2	190,5	23,8	8	19,0	194	350	22	36,8
125	5"	325 *)	254	185,7	215,9	25,4	8	22,2	187	517	27	
150	6"	350 *)	279,4	215,9	241,3	25,4	8	22,2	225	700	27	
200	8"	400 *)	342,9	269,9	298,4	28,6	8	22,2	260	700	27	

\*) Note: Face-to-face length acc. to EN 558/1 serie G27

# Product-Datasheet KFB-D

Stainless steel – flanged ball valve  
with ANSI/ASME- flange connection



**von Scheven**

Armaturenfabrik und Apparatebau

<b>E</b>	V42
	001
	state 08/09

Rudolf von Scheven GmbH

Wuppertaler Str. 10-12 45549 Sprockhövel  
www.von-scheven.com

Tel. + 49 (0)23 24 / 97 42 - 0

Fax + 49 (0)23 24 / 97 42 - 10

eMail sales@von-scheven.com

Technical data type series 51 (Flange acc. to ANSI B16.5 Class 300 – plain raised face)												
DN mm	DN Zoll	L	D	g	K	b	z	d	Hg	R	SW1	weight (kg)
15	1/2"	140	95,2	34,9	66,7	14,3	4	15,9	69	130	10	2,6
20	3/4"	152	117,5	42,9	82,5	15,9	4	19,0	71	160	10	3,5
25	1"	165	123,8	50,8	88,9	17,5	4	19,0	105	160	10	4,6
32	1 1/4"	178	133,3	63,5	98,4	19,0	4	19,0	117	250	17	6,9
40	1 1/2"	190	155,6	73,0	114,3	20,6	4	22,2	121	250	17	8,5
50	2"	216	165,1	92,1	127,0	22,2	8	19,0	128	250	17	11,6
65	2 1/2"	241	190,5	104,8	149,2	25,4	8	22,2	158	250	17	21,7
80	3"	283	209,5	127,0	168,3	28,6	8	22,2	182	350	22	28,0
100	4"	305	254	157,2	200,0	31,7	8	22,2	194	350	22	37,9

Technical data type series 52 (Flange acc. to ANSI B16.5 Class 600 – plain raised face)												
DN mm	DN Zoll	L	D	g	K	b	z	d	Hg	R	SW1	weight (kg)
15	1/2"	165	35,2	34,9	66,7	20,6	4	15,9	69	130	10	3,0
20	3/4"	190	117,5	42,9	82,5	22,2	4	19,0	71	160	10	4,5
25	1"	216	123,8	50,8	88,9	23,8	4	19,0	105	160	10	6,0
32	1 1/4"	229	133,3	63,5	98,4	26,9	4	19,0	117	250	17	10,0
40	1 1/4"	241	155,6	73,0	114,3	25,5	4	22,2	121	250	17	12,
50	2"	292	165,1	92,1	127,0	31,7	8	19,0	128	250	17	17,0

Ordering example: ball valve type KFB-D DN100 with flange connection acc. to ANSI B16.5 Class 300 lbs  
⇒ KFB-D 100 51

# Product-Datasheet KFB-D

## Stainless steel – flanged ball valve with ANSI/ASME- flange connection



**von Scheven**

Armaturenfabrik und Apparatebau

E	V42
	001
	state 08/09

Rudolf von Scheven GmbH  
Wuppertaler Str. 10-12 45549 Sprockhövel  
www.von-scheven.com

Tel. + 49 (0)23 24 / 97 42 - 0  
Fax + 49 (0)23 24 / 97 42 - 10  
eMail sales@von-scheven.com

### Stainless steel – flanged ball valve with ANSI/ASME-flange connection DN 15 – 200



#### Technical description

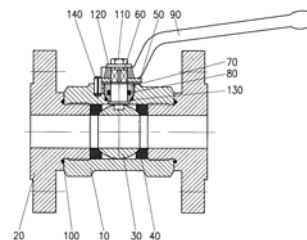
Up to DN80 the ball valve type KFB-C consists of a 3-piece body. Up to this nominal diameter the flange is screwed into the body. From DN100 and above, two body parts are flanged together. The spindle has an anti blow -out design and from DN 32 and above, it has a double-o-ring seal.

#### Application area

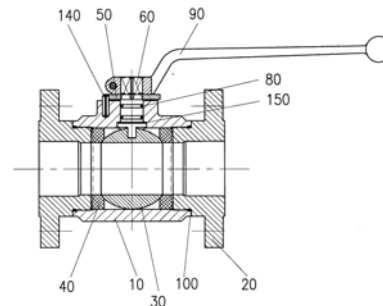
For non-aggressive fluids and gases. Furthermore, the resistiveness against the flow medium generally has to be given.

**Allowed operating temperature:** -20 °C up to +90 °C  
Differing temperatures on request.

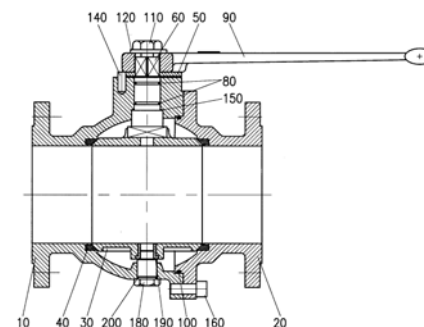
Bill of materials			
Pos.	name	material	Wnr./DIN
10	body	X6CrNiMoTi17-12-2	1.4571
		G-X5CrNiMo19-11-2	1.4408
20	flange	X2CrNiMo17-12-2	1.4404
		G-X5CrNiMo19-11-2	1.4408
30	ball	X2CrNiMo17-12-2	1.4404
		G-X5CrNiMo19-11-2	1.4408
40	seal	PTFE POM	
50	stop washer	X5CrNi18-10	1.4301
60	spindle	X2CrNiMo17-12-2	1.4404
70	fitting	X8CrNiS18-9	1.4305
80	o-ring	FPM	---
90	hand-lever	Z410 AlMgSi1F31 GTW	
100	o-ring	FPM	---
110	screw	stainless steel	DIN EN ISO 2-4017
120	nut1	stainless steel	DIN EN ISO 4032
			DIN EN ISO 7093
130	washer	stainless steel	
130	o-ring	FPM	---
140	stop pin	1.4305	DIN EN ISO 8740
150	sliding ring	PTFE	
160	screw	VA	
180	stud	X8CrNiS18-9	1.4305
190	bearing bush	X2CrNiMo17-12-2	1.4404
200	o-ring	FPM	



DN 10 - 25



DN 32 - 80



- 200

Depending on the design, not all positions are used with every nominal diameter. In special types, several parts may be made of different materials. Flanged ball valves with turnable flanges are available in DN 15 up to DN 50.

If you have other demands, different from the here specified standard operational conditions, please feel free to request them separately.

The operating and maintenance manual and in particular the safety instructions have to be followed. They can be downloaded from [www.von-scheven.com](http://www.von-scheven.com), as well as certificates and approvals.

All dimensions in mm.  
Technical changes reserved.