

Product-Datasheet KFB-C

Steel – flanged ball valve with ANSI/ASME-flange connection



von Scheven

Armaturenfabrik und Apparatebau

E	V42
	000
	state 08/09

Rudolf von Scheven GmbH
Wuppertaler Str. 10-12 45549 Sprockhövel
www.von-scheven.com

Tel. + 49 (0)23 24 / 97 42 - 0
Fax + 49 (0)23 24 / 97 42 - 10
eMail sales@von-scheven.com

**Steel -
flanged ball valve with
ANSI/ASME-flange con-
nection**
DN 15 - 200

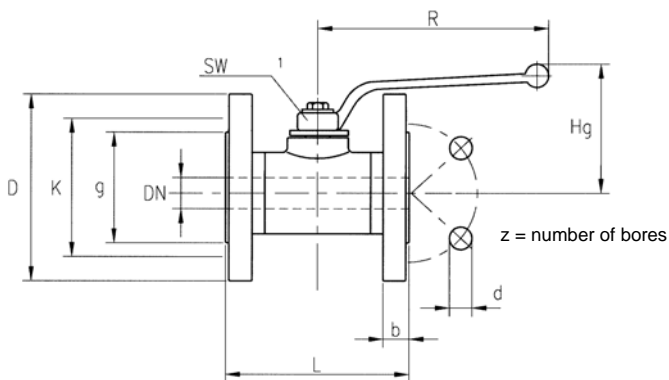


face-to-face length
KFB - nach ANSI B 16.10

type series
50 - flange acc. to ANSI/ASME B16.5 Class 150
51 - flange acc. to ANSI/ASME B16.5 Class 300
52 - flange acc. to ANSI/ASME B16.5 Class 600

approvals
TA-Luft

Allowed operating temperature: -20 °C up to +90 °C
Differing temperatures on request.



Technical datas typer series 50 (Flange acc. to ANSI B16.5 Class 150 – plain faced raise)												
DN mm	DN	L	D	g	K	b	z	d	Hg	R	SW1	weight (kg)
15	1/2"	108	88,9	34,9	60,3	11,1	4	15,9	69	130	10	2,4
20	3/4"	117	98,4	42,9	69,8	12,7	4	15,9	71	160	10	3,3
25	1"	127	107,9	50,8	79,4	14,3	4	15,9	105	160	10	4,4
32	1 1/4"	140	117,5	63,5	88,9	15,9	4	15,9	117	250	17	6,7
40	1 1/2"	165	127	73,0	98,4	17,5	4	15,9	121	250	17	8,2
50	2"	178	152,4	92,1	120,6	19,0	4	19,0	128	250	17	11,2
65	2 1/2"	190	177,8	104,8	139,7	22,2	4	19,0	158	250	17	21,2
80	3"	203	190,5	127,0	152,4	23,8	4	19,0	182	350	22	27,3
100	4"	229	228,6	157,2	190,5	23,8	8	19,0	194	350	22	36,8
125	5"	325	254	185,7	215,9	25,4	8	22,2	187	517	27	
150	6"	394	279,4	215,9	241,3	25,4	8	22,2	225	700	27	74,5
200	8"	457	342,9	269,9	298,4	28,6	8	22,2	260	700	27	115,0

Product-Datasheet KFB-C

Steel – flanged ball valve with
ANSI/ASME-flange connection



von Scheven

Armaturenfabrik und Apparatebau

E	V42
	000
	state 08/09

Rudolf von Scheven GmbH
Wuppertaler Str. 10-12 45549 Sprockhövel
www.von-scheven.com

Tel. + 49 (0)23 24 / 97 42 - 0
Fax + 49 (0)23 24 / 97 42 - 10
eMail sales@von-scheven.com

Technical Data typer series 51 (Flanges acc. to ANSI B16.5 Class 300 – plain faced raise)												
DN mm	DN	L	D	g	K	b	z	d	Hg	R	SW1	weight (kg)
15	1/2"	140	95,2	34,9	66,7	14,3	4	15,9	69	130	10	2,6
20	3/4"	152	117,5	42,9	82,5	15,9	4	19,0	71	160	10	3,5
25	1"	165	123,8	50,8	88,9	17,5	4	19,0	105	160	10	4,6
32	1 1/4"	178	133,3	63,5	98,4	19,0	4	19,0	117	250	17	6,9
40	1 1/2"	190	155,6	73,0	114,3	20,6	4	22,2	121	250	17	8,5
50	2"	216	165,1	92,1	127,0	22,2	8	19,0	128	250	17	11,6
65	2 1/2"	241	190,5	104,8	149,2	25,4	8	22,2	158	250	17	21,7
80	3"	283	209,5	127,0	168,3	28,6	8	22,2	182	350	22	28,0
100	4"	305	254	157,2	200,0	31,7	8	22,2	194	350	22	37,9
125	5"		279,4	185,7	234,95	36,5	8	22,2	187	517	27	
150	6"	403	317,5	215,9	269,9	36,5	12	22,2	225	700	27	76,0
200	8"	502	381	269,9	330,2	41,3	12	25,4	260	700	27	117,0

Technical data type series 52 (Flanges acc. to ANSI B16.5 Class 600 – plain faced raise)												
DN mm	DN Zoll	L	D	g	K	b	z	d	Hg	R	SW1	weight (kg)
15	1/2"	165	35,2	34,9	66,7	20,6	4	15,9	69	130	10	3,0
20	3/4"	190	117,5	42,9	82,5	22,2	4	19,0	71	160	10	4,5
25	1"	216	123,8	50,8	88,9	23,8	4	19,0	105	160	10	6,0
32	1 1/4"	229	133,3	63,5	98,4	26,9	4	19,0	117	250	17	10,0
40	1 1/2"	241	155,6	73,0	114,3	25,5	4	22,2	121	250	17	12,
50	2"	292	165,1	92,1	127,0	31,7	8	19,0	128	250	17	17,0
65	2 1/2"		190,5	104,8	149,2	34,9	8	22,2	158	250	17	
80	3"	355	209,5	127	168,3	38,1	8	22,2	182	350	22	

Ordering exsample: ball valve Type KFB--C DN100 with flange connection acc. to ANSI B16.5 Class 300 lbs
⇒ KFB-C 100 51

Product-Datasheet KFB-C

Steel – flanged ball valve with ANSI/ASME-flange connection



von Scheven

Armaturenfabrik und Apparatebau

E	V42
	000
	state 08/09

Rudolf von Scheven GmbH
Wuppertaler Str. 10-12 45549 Sprockhövel
www.von-scheven.com

Tel. + 49 (0)23 24 / 97 42 - 0
Fax + 49 (0)23 24 / 97 42 - 10
eMail sales@von-scheven.com

Steel – flanged ball valve with ANSIASME- flange connection DN 15 - 200



Technical description

Up to DN80 the ball valve type KFB-C consists of a 3-piece body. Up to this nominal diameter the flange is screwed into the body. From DN100 and above, two body parts are flanged together. The spindle has an anti blow-out design and from DN 32 and above, it has a double-o-ring seal.

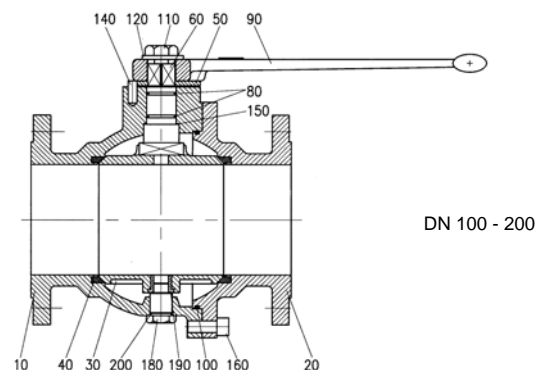
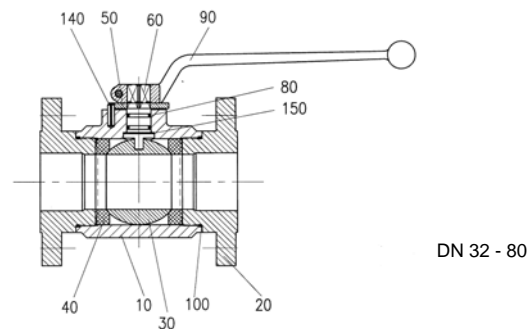
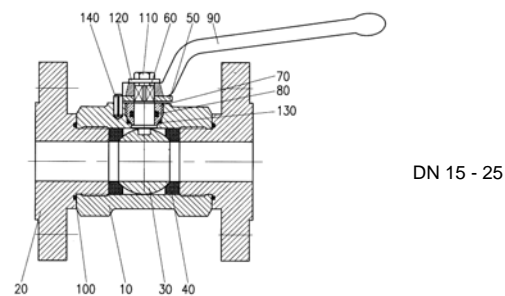
Application area:

For non-aggressive fluids and gases. Furthermore, the resistiveness against the flow medium generally has to be given.

Allowed operating temperature: -20 °C up to +90 °C

Differing temperatures on request.

Bill of materials			
Pos.	name	material	Wnr./DIN
10	body	P250GH GP240GH	1.0460 1.0619
20	flange	S355J2G3 GP240GH	1.0570 1.0619
30	ball	CuZn39Pb3 11SMn30 GJL-250 G-X5CrNiMo19-11-2	2.0401 1.0715 0.6025 1.4408
40	seal	PTFE POM	
50	stop washer	Stahl	
60	spindle	CuZn39Pb3 11SMn30	2.0401 1.0715
70	fitting	CuZn39Pb3	2.0401
80	o-ring	NBR	---
90	hand-lever	Z410 AlMgSi1F31 GTW	
100	o-ring	NBR	---
110	screw		DIN EN ISO 2-4017
120	nut		DIN EN ISO 4032
130	washer		DIN EN ISO 7093
130	o-ring	NBR	---
140	stop pin		DIN EN ISO 8740
150	sliding ring	PTFE	
160	screw		DIN EN ISO 4762
180	stud	steel	
190	bearing bush	CuZn39Pb3	2.0401
200	o-ring	NBR	



Depending on the design, not all positions are used with every nominal diameter. In special types, several parts may be made of different materials. Flanged ball valves with turnable flanges are available in DN 15 up to DN 50.

If you have other demands, different from the here specified standard operational conditions, please feel free to request them separately.

The operating and maintenance manual and in particular the safety instructions have to be followed. They can be downloaded from www.von-scheven.com, as well as certificates and approvals.

All dimensions in mm.
Technical changes reserved.