

Product-datasheet K-KFK-C

Compact-flanged



von Scheven

Armaturenfabrik und Apparatebau

E	V40
	009
	state 08/06

Rudolf von Scheven GmbH
Wuppertaler Str. 10-12 45549 Sprockhövel
www.von-scheven.com

Tel. + 49 (0)23 24 / 97 42 - 0
Fax + 49 (0)23 24 / 97 42 - 10
eMail sales@von-scheven.com

Compact-flanged ball valve

DN 300

PN max. 64 bar
(reduced flow)



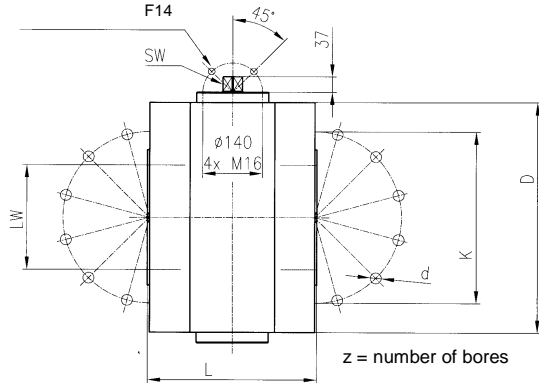
type series

25 - PN10 acc. to DIN EN 1092-1
26 - PN16 acc. to DIN EN 1092-1
27 - PN25 acc. to DIN EN 1092-1
28 - PN40 acc. to DIN EN 1092-1
29 - PN64 acc. to DIN EN 1092-1

50 - flanges acc. to ANSI B16.5 Class 150 lbs.
51 - flanges acc. to ANSI B16.5 Class 300 lbs.
53 - flanges acc. to ANSI B16.5 Class 600 lbs.

Allowed operating temperature: -10 °C up to +90 °C
Differing temperatures on request.

Flange connection
acc. to DIN ISO 5211
F14



materials		
name	material	Wnr./DIN
body	S355J2G3	1.0570
ball	X2CrNiMo17-12-2	1.4408
spindle	11SMn30	1.0715
seal	PTFE (up to 40 bar) POM (from 64 bar)	

Technical datas (flange connection acc. to DIN EN 1092-1)									
DN	LW	PN	L	D	K	Z	d	SW	type
300	250	10	400	580	400	12	M20	36	K-KFK-C 30025
300	250	16	400	580	410	12	M24	36	K-KFK-C 30026
300	250	25	400	580	430	16	M27	36	K-KFK-C 30027
300	250	40	400	580	450	16	M30	36	K-KFK-C 30028
300	250	64	400	580	460	16	M33	36	K-KFK-C 30029

Technical datas (flange connection acc. to ANSI B16,5 – glatte Dichtleiste)									
DN	LW	PN	L	D	K	Z	d	SW	type
12 "	250	150 lbs max.16 bar	400	580	431,8	12	M24	36	K-KFK-C 30050
12 "	250	300 lbs max.40 bar	400	580	450,8	16	M30	36	K-KFK-C 30051
12 "	250	600 lbs max.64 bar	400	580	488,9	20	M33	36	K-KFK-C 30053

Ordering example: ball valve Type K-KFK DN300 with flange connection PN16 acc. to DIN EN 1092-1
⇒ K-KFK-C 300 26

Depending on the design, not all positions are used with every nominal diameter. In special types, several parts may be made of different materials.

If you have other demands, different from the here specified standard operational conditions, please feel free to request them separately.

The operating and maintenance manual and in particular the safety instructions have to be followed. They can be downloaded from www.von-scheven.com, as well as certificates and approvals.

All dimensions in mm.
Technical changes reserved.