

Product-datasheet K-KFK-C

Compact-flanged ball valve



von Scheven

Armaturenfabrik und Apparatebau

E	V40
	008
	state 08/06

Rudolf von Scheven GmbH
Wuppertaler Str. 10-12 45549 Sprockhövel
www.von-scheven.com

Tel. + 49 (0)23 24 / 97 42 - 0
Fax + 49 (0)23 24 / 97 42 - 10
eMail sales@von-scheven.com

Compact-flanged ball valve

DN 250

PN max. 64 bar



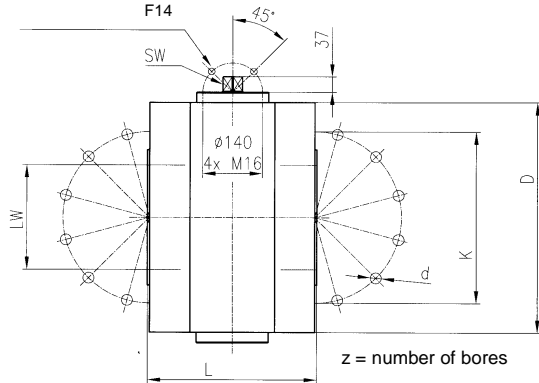
type series

25 - PN10 acc. to DIN EN 1092-1
26 - PN16 acc. to DIN EN 1092-1
27 - PN25 acc. to DIN EN 1092-1
28 - PN40 acc. to DIN EN 1092-1
29 - PN64 acc. to DIN EN 1092-1

50 – flanges acc. to ANSI B16.5 Class 150 lbs.
51 – flanges acc. to ANSI B16.5 Class 300 lbs.
53 – flanges acc. to ANSI B16.5 Class 600 lbs.

Allowed operating temperature: -10 °C up to +90 °C
Differing temperatures on request.

Flange connection
acc. to DIN ISO 5211
F14



materials		
name	material	Wnr./DIN
body	S355J2G3	1.0570
ball	X2CrNiMo17-12-2	1.4408
spindle	11SMn30	1.0715
seal	PTFE (up to 40 bar) POM (from 64 bar)	

Technical datas (flange connection acc. to DIN EN 1092-1)									
DN	LW	PN	L	D	K	Z	d	SW	Type
250	250	10	400	580	350	12	M20	36	K-KFK-C 25025
250	250	16	400	580	355	12	M24	36	K-KFK-C 25026
250	250	25	400	580	370	12	M27	36	K-KFK-C 25027
250	250	40	400	580	385	12	M30	36	K-KFK-C 25028
250	250	64	400	580	400	12	M33	36	K-KFK-C 25029

Technical datas (flange connection acc. to ANSI B16,5 – glatte Dichtleiste)									
DN	LW	PN	L	D	K	Z	d	SW	Type
10 "	250	150 lbs max.16 bar	400	580	361,9	12	M24	36	K-KFK-C 25050
10 "	250	300 lbs max.40 bar	400	580	387,3	16	M27	36	K-KFK-C 25051
10 "	250	600 lbs max.64 bar	400	580	431,8	16	M33	36	K-KFK-C 25053

Ordering example: ball valve Type K-KFK-C DN250 with flange connection PN16 acc. to DIN EN 1092-1
⇒ K-KFK-C 250 26

Depending on the design, not all positions are used with every nominal diameter. In special types, several parts may be made of different materials.

If you have other demands, different from the here specified standard operational conditions, please feel free to request them separately.

The operating and maintenance manual and in particular the safety instructions have to be followed. They can be downloaded from www.von-scheven.com, as well as certificates and approvals.

All dimensions in mm.
Technical changes reserved.