

# Product-datasheet K-KFK-D

## Stainless steel-compact-flanged ball valve



**von Scheven**

Armaturenfabrik und Apparatebau

|   |                |
|---|----------------|
| E | V40            |
|   | 007            |
|   | state<br>01/08 |

Rudolf von Scheven GmbH  
Wuppertaler Str. 10-12 45549 Sprockhövel  
www.von-scheven.com

Tel. + 49 (0)23 24 / 97 42 - 0  
Fax + 49 (0)23 24 / 97 42 - 10  
eMail sales@von-scheven.com

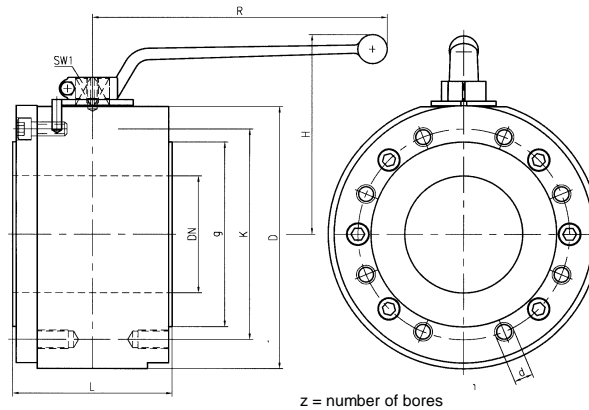
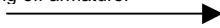
**Stainless steel -  
compact-flanged  
ball valve**  
DN 10 - 100  
PN max. 40 bar



**Type series**  
26 - PN16 acc. to DIN EN 1092-1  
28 - PN40 acc. to DIN EN 1092-1

**Allowed operating temperature:** -10 °C up to +160 °C  
Differing temperatures on request.

Please note the pressure direction  
when using the ball valve as a  
closing-off armature!



| Technical data type series 26 (PN16) |    |   |     |     |     |   |     |     |     |     |             |
|--------------------------------------|----|---|-----|-----|-----|---|-----|-----|-----|-----|-------------|
| DN                                   | PN | L   | D   | g   | K   | z | d   | R   | SW1 | H   | weight (kg) |
| 10 - 50                              | 16 | use ball valves acc. to type series 28 ( PN40 ) |     |     |     |   |     |     |     |     |             |
| 65                                   | 16 | 103   | 185 | 122 | 145 | 4 | M16 | 250 | 17  | 150 |             |
| 80                                   | 16 | 118   | 200 | 138 | 160 | 8 | M16 | 350 | 22  | 160 |             |
| 100                                  | 16 | 135   | 220 | 158 | 180 | 8 | M16 | 350 | 22  | 172 |             |

| Technical data type series 28 (PN40) |    |     |     |     |     |   |     |     |     |     |             |
|--------------------------------------|----|-----|-----|-----|-----|---|-----|-----|-----|-----|-------------|
| DN                                   | PN | L   | D   | g   | K   | z | d   | R   | SW1 | H   | weight (kg) |
| 10                                   | 40 | 35  | 90  | 40  | 60  | 4 | M12 | 130 | 10  | 77  |             |
| 15                                   | 40 | 35  | 95  | 45  | 65  | 4 | M12 | 130 | 10  | 77  |             |
| 20                                   | 40 | 40  | 105 | 58  | 75  | 4 | M12 | 160 | 10  | 90  |             |
| 25                                   | 40 | 46  | 115 | 68  | 85  | 4 | M12 | 160 | 10  | 108 |             |
| 32                                   | 40 | 58  | 140 | 78  | 100 | 4 | M16 | 250 | 17  | 117 |             |
| 40                                   | 40 | 64  | 150 | 88  | 110 | 4 | M16 | 250 | 17  | 121 |             |
| 50                                   | 40 | 82  | 165 | 102 | 125 | 4 | M16 | 250 | 17  | 128 |             |
| 65                                   | 40 | 103 | 185 | 122 | 145 | 8 | M16 | 250 | 17  | 150 |             |
| 80                                   | 40 | 118 | 200 | 138 | 160 | 8 | M16 | 350 | 22  | 160 |             |
| 100                                  | 40 | 145 | 235 | 162 | 190 | 8 | M20 | 350 | 22  | 172 |             |

Ordering example: ball valve type K-KFK-D DN100 with flange PN16 acc. to DIN EN 1092-1  
⇒ K-KFK-D 100 26

# Product-datasheet K-KFK-D

## Stainless steel-compact-flanged ball valve



**von Scheven**

Armaturenfabrik und Apparatebau

|   |                |
|---|----------------|
| E | V40            |
|   | 007            |
|   | state<br>01/08 |

Rudolf von Scheven GmbH  
Wuppertaler Str. 10-12 45549 Sprockhövel  
www.von-scheven.com

Tel. + 49 (0)23 24 / 97 42 - 0  
Fax + 49 (0)23 24 / 97 42 - 10  
eMail sales@von-scheven.com

**Stainless steel -  
compact-flanged  
ball valve**  
DN 10 - 100  
PN max. 40 bar



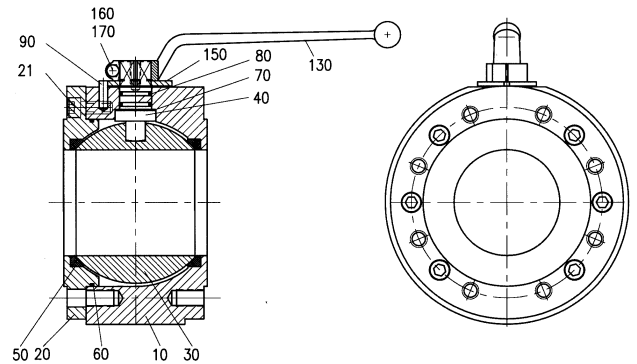
### Technical description

The ball valve type K-KFK-D-consists of a body with a screwed-in or flanged cover. Please note the pressure direction when using the ball valve as a closing-off armature. Up to DN25, the spindle is screwed into the body from outside. Because of the used fitting, the spindle seal can easily be changed. A spindle seal acc. to TA-Luft is serial from DN32 and above. Up to DN 25, it can be installed for an additional charge. The use of an actuator is possible with an extension set. This expandability is serial.

### Application area:

For non-aggressive fluids and gases. Furthermore, the resistiveness against the flow medium generally has to be given.

| Bill of materials |              |                           |                            |
|-------------------|--------------|---------------------------|----------------------------|
| Pos.              | name         | material                  | Wnr./DIN                   |
| 10                | body         | X2CrNiMo17-12-2           | 1.4404                     |
| 20                | flange       | X2CrNiMo17-12-2           | 1.4404                     |
| 21                | screw        | stainless steel           | DIN 912<br>DIN EN ISO 4762 |
| 30                | ball         | X2CrNiMo17-12-2           | 1.4404                     |
| 40                | spindle      | X2CrNiMo17-12-2           | 1.4404                     |
| 50                | seal         | PTFE                      |                            |
| 60                | o-ring       | FPM                       |                            |
| 70                | sliding ring | PTFE                      |                            |
| 80                | o-ring       | FPM                       |                            |
| 90                | stop pin     | VA                        | DIN EN ISO 8740            |
| 130               | hand-lever   | Z410<br>AlMgSi1F31<br>GTW |                            |
| 150               | stop washer  | X5CrNi18-10               | 1.4301                     |
| 160               | screw        | stainless steel           | DIN EN ISO 2-<br>4017      |
| 170               | nut          | stainless steel           | DIN EN ISO 4032            |
|                   | washer       | stainless steel           | DIN EN ISO 7093            |



Depending on the design, not all positions are used with every nominal diameter. In special types, several parts may be made of different materials.

If you have other demands, different from the here specified standard operational conditions, please feel free to request them separately.

The operating and maintenance manual and in particular the safety instructions have to be followed. They can be downloaded from [www.von-scheven.com](http://www.von-scheven.com), as well as certificates and approvals.

All dimensions in mm.  
Technical changes reserved.