

# Product-datasheet K-KFK-C

## Compact-flanged-ball valve



**von Scheven**

Armaturenfabrik und Apparatebau

E	V40
	006
	state 01/08

**Rudolf von Scheven GmbH**  
Wuppertaler Str. 10-12 45549 Sprockhövel  
www.von-scheven.com

**Tel.** + 49 (0)23 24 / 97 42 - 0  
**Fax** + 49 (0)23 24 / 97 42 - 10  
**eMail** sales@von-scheven.com

### Compact-flanged-ball valve

DN 10 - 100

PN max. 40 bar



#### type series

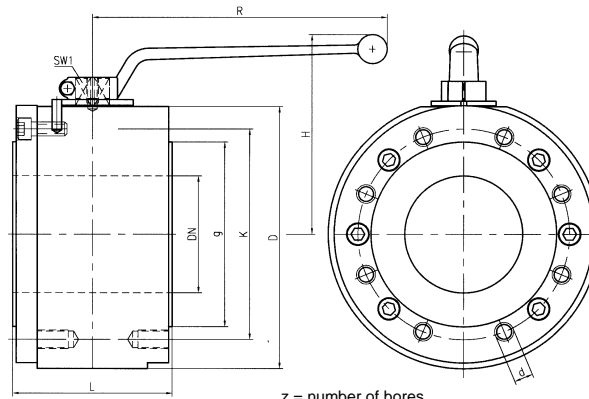
26 - PN16 up to DIN EN 1092-1

28 - PN40 up to DIN EN 1092-1

**Allowed operating temperature:** -10 °C up to +90 °C

Differing temperatures on request.

Please note the pressure direction when using the ball valve as a closing-off armature! →



#### Technical data type series 26 (PN16)

DN	PN	L	D	g	K	z	d	R	SW1	H	weight (kg)
10 - 50	16	Kugelhähne nach Baureihe 28 ( PN40 ) verwenden									
65	16	103	185	122	145	4	M16	250	17	150	
80	16	118	200	138	160	8	M16	350	22	160	
100	16	135	220	158	180	8	M16	350	22	172	

#### Technical data type series 28 (PN40)

DN	PN	L	D	g	K	z	d	R	SW1	H	weight (kg)
10	40	35	90	40	60	4	M12	130	10	77	
15	40	35	95	45	65	4	M12	130	10	77	
20	40	40	105	58	75	4	M12	160	10	90	
25	40	46	115	68	85	4	M12	160	10	108	
32	40	58	140	78	100	4	M16	250	17	117	
40	40	64	150	88	110	4	M16	250	17	121	
50	40	82	165	102	125	4	M16	250	17	128	
65	40	103	185	122	145	8	M16	250	17	150	
80	40	118	200	138	160	8	M16	350	22	160	
100	40	145	235	162	190	8	M20	350	22	172	

Ordering example: ball valve type K-KFK DN100 with flanges PN16 acc. to DIN EN 1092-1  
⇒ K-KFK-C 100 26

# Product-datasheet K-KFK-C

## Compact-flanged-ball valve



**von Scheven**

Armaturenfabrik und Apparatebau

E	V40
	006
	state 01/08

**Rudolf von Scheven GmbH**  
Wuppertaler Str. 10-12 45549 Sprockhövel  
www.von-scheven.com

**Tel.** + 49 (0)23 24 / 97 42 - 0  
**Fax** + 49 (0)23 24 / 97 42 - 10  
**eMail** sales@von-scheven.com

### Compact-flange- ball valve

DN 10 - 100

PN max. 40 bar



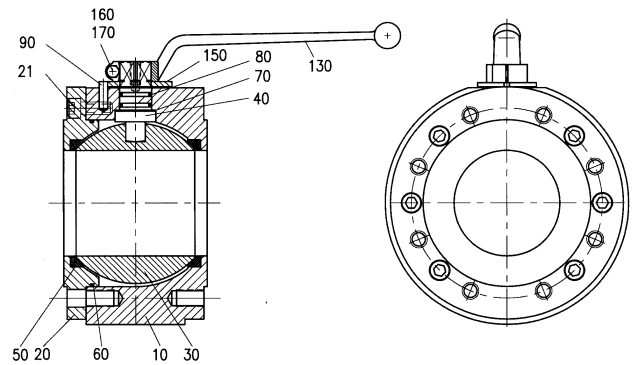
### Technical description

The ball valve type K-KFK-C-consists of a body with a screwed-in or flanged cover. Please note the pressure direction when using the ball valve as a closing-off armature. Up to DN25, the spindle is screwed into the body from outside. Because of the used fitting, the spindle seal can easily be changed. A spindle seal acc. to TA-Luft is serial from DN32 and above. Up to DN 25, it can be installed for an additional charge. The use of an actuator is possible with an extension set. This expandability is serial.

### Application area:

For non-aggressive fluids and gases. Furthermore, the resistiveness against the flow medium generally has to be given.

Bill of materials			
Pos.	name	material	Wnr./DIN
10	body	S355J2G3	1.0570
20	flange	S355J2G3	1.0570
21	screw		DIN 912 DIN EN ISO 4762
30	ball	CuZn39Pb3 GJL-250	2.0401 ---
40	spindle	CuZn39Pb3 11SMn30	2.0401 1.0715
50	seal	PTFE	
60	o-ring	NBR	---
70	sliding ring	PTFE	
80	o-ring	NBR	---
90	stop pin		DIN EN ISO 8740
130	hand-lever	Z410 AlMgSi1F31 GTW	
150	stop washer	steel	
160	screw		DIN EN ISO 2- 4017
170	nut washer		DIN EN ISO 4032 DIN EN ISO 7093



Depending on the design, not all positions are used with every nominal diameter. In special types, several parts may be made of different materials.

If you have other demands, different from the here specified standard operational conditions, please feel free to request them separately.

The operating and maintenance manual and in particular the safety instructions have to be followed. They can be downloaded from [www.von-scheven.com](http://www.von-scheven.com), as well as certificates and approvals.

All dimensions in mm.  
Technical changes reserved.