

product-datasheet KFL-C

steel – flanged ball valve – long face-to-face length



von Scheven
Armaturenfabrik und Apparatebau

E	V40
	003
	state 08/08

Rudolf von Scheven GmbH
Wuppertaler Str. 10-12 45549 Sprockhövel
www.von-scheven.com

Tel. + 49 (0)23 24 / 97 42 - 0
Fax + 49 (0)23 24 / 97 42 - 10
eMail sales@von-scheven.com

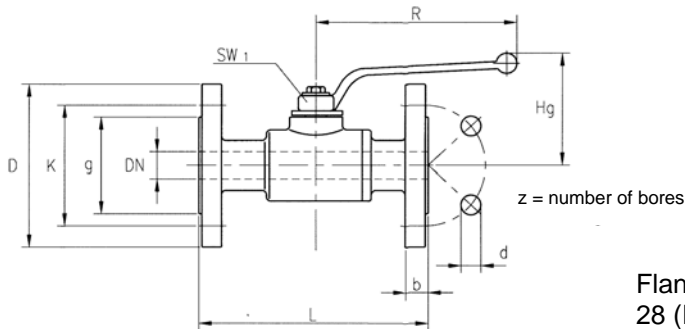
**steel –
flanged ball valve**
DN 10 - 250
PN max. 315 bar



face-to-face length
KFL – EN 558-1 typeG1

Type series
25 - PN10 acc. to DIN EN 1092-1
26 - PN16 acc. to DIN EN 1092-1
27 - PN25 acc. to DIN EN 1092-1
28 - PN40 acc. to DIN EN 1092-1
29 - PN64 acc. to DIN EN 1092-1
34 - PN100 acc. to DIN EN 1092-1
35 - PN160 acc. to DIN 2638
36 - PN250 acc. to DIN 2628
37 - PN315 acc. to DIN 2629

approvals:
TUV-type-test-approval mark
DVGW for gas: DN15 up to DN250; max. PN 40
TA-Luft



Flanged ball valve DN 15 up to DN 50 of type series 28 (PN40) may be delivered with turnable flanges, depending on availability.

Technical data type series 25 (PN10 acc. to DIN EN 1092-1)												
DN	PN	L	D	g	K	b	z	d	Hg	R	SW1	weight (kg)
10 - 50	10											use ball valves acc. to type series 28 (PN40)
65	10											use ball valves acc. to type series 26 (PN16)
80	10											use ball valves acc. to type series 28 (PN40)
100 - 150	10											use ball valves acc. to type series 26 (PN16)
200	10		340	268	295	24	8	22	260	700	27	108
250 *)	10		395	320	350	26	12	22	260	700	27	135

*) = LW 200 – reduced bore of 200 mm

product-datasheet KFL-C

steel – flanged ball valve – long face-to-face length



von Scheven

Armaturenfabrik und Apparatebau

E	V40
	003
	state 08/08

Rudolf von Scheven GmbH
Wuppertaler Str. 10-12 45549 Sprockhövel
www.von-scheven.com

Tel. + 49 (0)23 24 / 97 42 - 0
Fax + 49 (0)23 24 / 97 42 - 10
eMail sales@von-scheven.com

Technical data type series 26 (PN16 acc. to DIN EN 1092-1)												
DN	PN	L	D	g	K	b	z	d	Hg	R	SW1	weight (kg)
10 - 50	16	use ball valves acc. to type series 28 (PN40)										
65	16	290	185	122	145	20	41)	18	158	250	17	20,5
80	16	use ball valves acc. to type series 28 (PN40)										
100	16	350	220	158	180	24	8	18	194	350	22	36,0
125	16	400	250	188	210	26	8	18	195	500	22	50,0
150	16	480	285	212	240	22	8	22	225	700	27	72,0
200	16	600	340	268	295	30	12	22	260	700	27	108
250 *)	16	730	395	320	350	26	12	22	260	700	27	135

*) = LW 200 – reduced bore of 200 mm

Technical data type series 27 (PN25 acc. to DIN EN 1092-1)												
DN	PN	L	D	g	K	b	z	d	Hg	R	SW1	weight (kg)
10 - 150	25	use ball valves acc. to type series 28 (PN40)										
200	25	600	360	278	310	30	12	26	260	700	27	108
250 *)	25	730	425	335	370	32	12	30	260	700	27	135

*) = LW 200 – reduced bore of 200 mm

Technical data type series 28 (PN40 acc. to DIN EN 1092-1)												
DN	PN	L	D	g	K	b	z	d	Hg	R	SW1	weight (kg)
10	40	130	90	40	60	16	4	14	67	130	10	1,9
15	40	130	95	45	65	16	4	14	69	130	10	2,4
20	40	150	105	58	75	18	4	14	71	130	10	3,3
25	40	160	115	68	85	18	4	14	82	160	10	4,4
32	40	180	140	78	100	18	4	18	117	250	17	8,0
40	40	200	150	88	110	18	4	18	121	250	17	9,0
50	40	230	165	102	125	20	4	18	128	250	17	13,0
65	40	290	185	122	145	22	8	18	158	250	17	20,5
80	40	310	200	138	160	24	8	18	181	368	22	29,5
100	40	350	235	162	190	24	8	22	194	368	22	36,0
125	40	400	270	188	220	26	8	26	212	368	22	50,0
150	40	480	300	218	250	28	8	26	216	700	27	72,0
200	40	600	375	285	320	34	12	30	252	700	27	108,0
250	40	730	450	345	385	38	12	30	252	700	27	135,0

*) = LW 200 – reduced bore of 200 mm

product-datasheet KFL-C

steel – flanged ball valve – long face-to-face length



von Scheven

Armaturenfabrik und Apparatebau

E	V40
	003
	state 08/08

Rudolf von Scheven GmbH
Wuppertaler Str. 10-12 45549 Sprockhövel
www.von-scheven.com

Tel. + 49 (0)23 24 / 97 42 - 0
Fax + 49 (0)23 24 / 97 42 - 10
eMail sales@von-scheven.com

Technical data type series 29 (PN63 acc. to DIN EN 1092-1)												
DN	PN	L	D	g	K	b	z	d	Hg	R	SW1	weight (kg)
10 - 40	63	use ball valves acc. to type series 35 (PN160)										
50	63	230	180	102	135	26	4	22	128	250	17	15,0
65	63	290	220	122	160	26	8	22	158	250	17	23,0
80	63	310	230	138	170	26	8	22	181	350	22	33,5
100	63	350	265	162	200	30	8	26	194	350	22	40,0

Technical data type series 34 (PN100 acc. to DIN EN 1092-1)												
DN	PN	L	D	g	K	b	z	d	Hg	R	SW1	weight (kg)
10 - 80	100	use ball valves acc. to type series 35 (PN160)										

Technical data type series 35 (PN160 acc. to DIN 2638)												
DN	PN	L	D	g	K	b	z	d	Hg	R	SW1	weight (kg)
10	160	130	100	40	70	20	4	14	67	130	10	2,3
15	160	130	105	45	75	20	4	14	69	130	10	2,7
20	160	150	130	58	90	22	4	18	71	130	10	3,5
25	160	160	140	68	100	24	4	18	82	160	10	4,6
32	160	180	155	78	110	26	4	22	117	250	17	8,6
40	160	200	170	88	125	28	4	22	121	250	17	10,0
50	160	230	195	102	145	30	4	26	128	250	17	18,0
65	160	290	220	122	170	34	8	26	158	250	17	19,0
80	160	310	230	138	180	36	8	26	182	368	22	29,0

Technical data type series 36 (PN250 acc. to DIN 2628)												
DN	PN	L	D	g	K	b	z	d	Hg	R	SW1	weight (kg)
10	250	130	125	40	85	24	4	18	67	130	10	2,6
15	250	130	130	45	90	26	4	18	69	130	10	2,7
20	250	150	135	55	195	26	4	18	71	130	10	3,5
25	250	160	150	68	105	28	4	22	105	160	10	4,6
40	250	200	185	88	135	34	4	26	121	250	17	18,0
50	250	230	200	102	150	38	8	26	128	250	17	21,0

product-datasheet KFL-C
steel – flanged ball valve – long face-to-face length



von Scheven

Armaturenfabrik und Apparatebau

E	V40
	003
	state 08/08

Rudolf von Scheven GmbH
Wuppertaler Str. 10-12 45549 Sprockhövel
www.von-scheven.com

Tel. + 49 (0)23 24 / 97 42 - 0
Fax + 49 (0)23 24 / 97 42 - 10
eMail sales@von-scheven.com

Technical data type series 37 (PN315 acc. to DIN 2629)												
DN	PN	L	D	g	K	b	z	d	Hg	R	SW1	weight (kg)
10	315	130	125	40	85	24	4	18	67	130	10	2,6
15	315	130	130	45	90	26	4	18	69	130	10	2,7
20	315	150	150	55	105	30	4	22	71	130	10	3,5
25	315	160	160	68	115	34	4	22	82	160	10	4,6
40	315	200	195	88	145	38	4	26	121	250	17	21,5
50	315	230	210	102	160	42	8	26	128	250	17	25,0

Ordering example: ball valve type KFL-C DN100 with flanges PN16 acc. to DIN EN 1092-1
⇒ KFL-C 100 26

product-datasheet KFL-C

steel – flanged ball valve – long face-to-face length



von Scheven

Armaturenfabrik und Apparatebau

E	V40
	003
	state 08/08

Rudolf von Scheven GmbH
Wuppertaler Str. 10-12 45549 Sprockhövel
www.von-scheven.com

Tel. + 49 (0)23 24 / 97 42 - 0
Fax + 49 (0)23 24 / 97 42 - 10
eMail sales@von-scheven.com

**steel –
flanged ball valve**
DN 10 - 250
PN max. 315 bar



Technical description

The ball valve type KFL-C consists of a 3-piece, from DN32 of a 2-piece body. Up to DN100, the flange is screwed into the body. From DN125 on, the 2 body pieces are flanged together. The spindle has an anti-blow-out design. From DN32 on, it has a double-o-ring sealing.

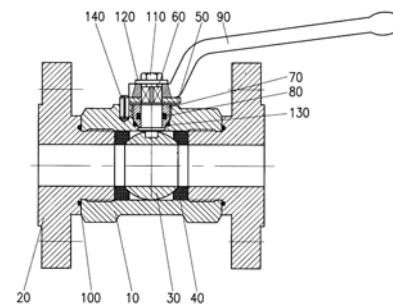
Application area:

For non-aggressive fluids and gases. Furthermore, the resistiveness against the flow medium generally has to be given.

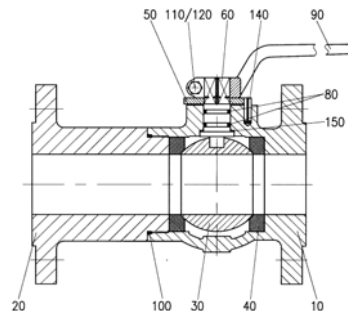
Allowed operating temperature: -20 °C up to +90 °C

Differing temperatures on request.

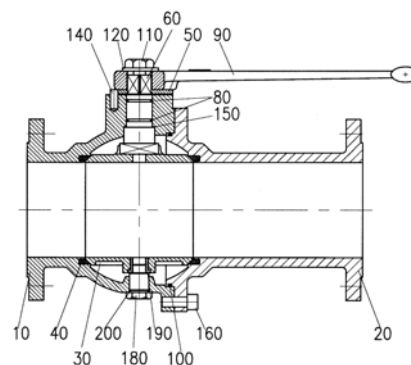
Bill of materials			
Pos.	name	Material	Wnr./DIN
10	body	P250GH GP240GH	1.0460 1.0619
20	flange	S355J2G3 GP240GH	1.0570 1.0619
30	ball	CuZn39Pb3 EN-GJL-250	2.0401 ---
40	seal	PTFE POM	
50	stop washer	steel	
60	spindle	CuZn39Pb3 11SMn30	2.0401 1.0715
70	fitting	CuZn39Pb3	2.0401
80	o-ring	NBR	---
90	hand-lever	Z410 AlMgSi1F31 GTW	
100	o-ring	NBR	---
110	screw		DIN EN ISO 2- 4017
120	nut washer		DIN EN ISO 4032 DIN EN ISO 7093
130	o-ring	NBR	---
140	Stopp pin		DIN EN ISO 8740
150	slide ring	PTFE	
160	nut		DIN EN ISO 4762
180	stud	steel	
190	bearing bush	CuZn39Pb3	2.0401
200	o-ring	NBR	



DN 15 - 25



DN 32 - 100



DN 125 - 250

Depending on the design, not all positions are used with every nominal diameter. In special types, several parts may be made of different materials. Flanged ball valves with turnable flanges are available in DN 15 up to DN 50.

If you have other demands, different from the here specified standard operational conditions, please feel free to request them separately.

The operating and maintenance manual and in particular the safety instructions have to be followed. They can be downloaded from www.von-scheven.com, as well as certificates and approvals.

All dimensions in mm.
Technical changes reserved.