

# Product-Datasheet MSK-ISO

2-way-brass-socket  
ball valve  
with ISO-flange for actuator

Rudolf von Scheven GmbH  
Wuppertaler Str. 10-12, 45549 Sprockhövel  
www.von-scheven.com

Tel. + 49 (0)23 24 / 97 42 - 0  
Fax + 49 (0)23 24 / 97 42 - 10  
eMail sales@von-scheven.com



**von Scheven**

Armaturenfabrik und Apparatebau

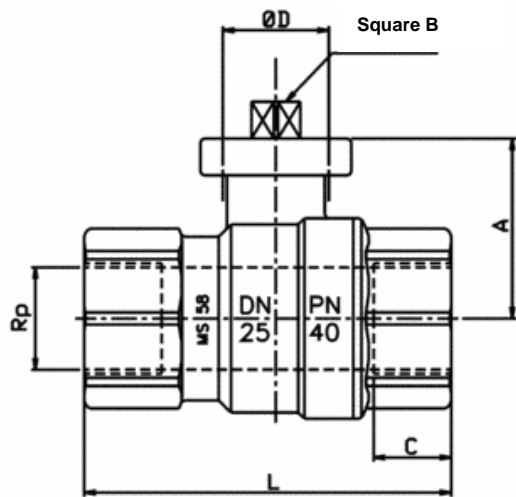
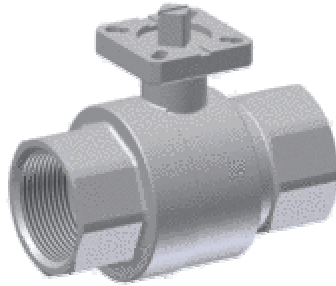
E	V30
	006
	state 01/09

## 2-way-brass socket ball valve

DN 15 - 80

PN16 up to 40 bar

Connector type male thread acc. to DIN2999



Technical data									
DN	PN	Connector size	A	B	C	D	L	weight	T (Nm)
15	PN40	Rp 1/4	38	9	15	36	75	0,5	2,8
15	PN40	Rp 3/8	38	9	15	36	75	0,5	2,8
15	PN40	Rp 1/2	38	9	15	36	75	0,4	4,2
20	PN40	Rp 3/4	41	9	16	36	80	0,5	5,6
25	PN40	Rp 1	44	9	19	36	90	0,8	8,4
32	PN40	Rp 1 1/4	55	11	21	42/50	110	1,3	9,8
40	PN25	Rp 1 1/2	62	11	21	42/50	120	1,9	13,0
50	PN25	Rp 2	73	14	25	50	140	3,1	25,0
63	PN25	Rp 2 1/2	83	14	24,2	70	143	3,1	38
78	PN16	Rp 3	94,5	14	33,2	70	183	4,0	40

T= torque pressure-less and without safety factor after no more than 7 days without actuation

# Product-Datasheet MSK-ISO

## 2-way-brass-socket ball valve with ISO-flange for actuator



**von Scheven**

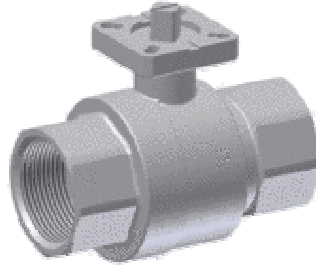
Armaturenfabrik und Apparatebau

E	V30
	006
	state 01/09

**Rudolf von Scheven GmbH**  
Wuppertaler Str. 10-12, 45549 Sprockhövel  
www.von-scheven.com

**Tel.** + 49 (0)23 24 / 97 42 - 0  
**Fax** + 49 (0)23 24 / 97 42 - 10  
**eMail** sales@von-scheven.com

**2-way-brass  
socket ball valve**  
DN 15 - 80  
PN16 up to 40 bar



### Technical description

High-quality industry ball valve with full flow and assembly flange. The ball valve can be delivered with an pneumatic, electric-, or hydraulic actuator.

2-piece body construction,  
anti blow-out desing, spindle assembled from inside  
maintenance free spindle sealing,  
assembly flange acc. to DIN EN ISO 5211

**Temperature Medium:** -20°C up to +150°C

Name	Material
Body	DIN/EN: CW617N-MS nickel-plated
Ball	DIN/EN: CW614N-MS chrome-plated
Seal	DIN/EN: PTFE/FPM

Depending on the design, not all positions are used with every nominal diameter. In special types, several parts may be made of different materials.

In case of very low working pressure, use the low-pressure type with modified seals.

If you have other demands, different from the here specified standard operational conditions, please feel free to request them separately.

The operating and maintenance manual and in particular the safety instructions have to be followed. They can be downloaded from [www.von-scheven.com](http://www.von-scheven.com), as well as certificates and approvals.

All dimensions in mm.

Technical changes reserved.