

Product-Datasheet ESK-ISO

2-way-stainless steel-socket ball valve with ISO-flange for actuator



von Scheven

Armaturenfabrik und Apparatebau

E	V30
	005
	state 01/09

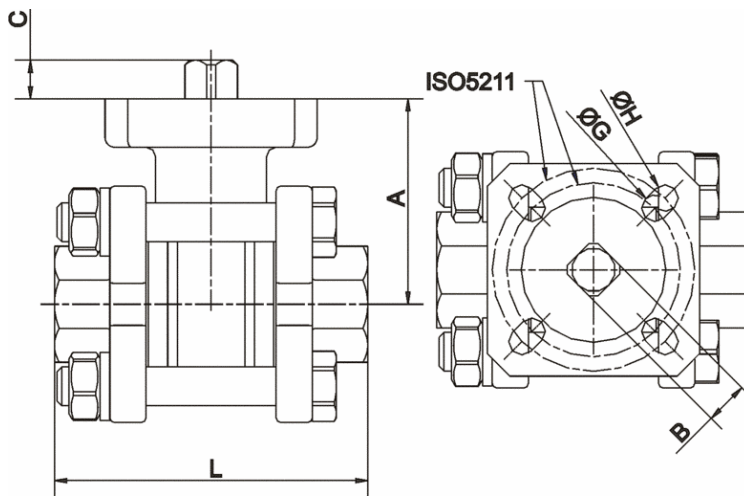
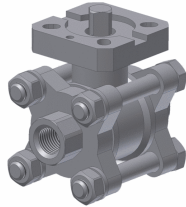
Rudolf von Scheven GmbH
Wuppertaler Str. 10-12, 45549 Sprockhövel
www.von-scheven.com

Tel. + 49 (0)23 24 / 97 42 - 0
Fax + 49 (0)23 24 / 97 42 - 10
eMail sales@von-scheven.com

2-way-stainless steel-socket ball valve with ISO-flange for actuator

3-parted
DN 10 - 80
PN 63 bar

Connector type female thread acc. to DIN2999



Technical data										
DN	PN	connector size	A	B	C	ISO5211	L	G	H	weight
10	PN63	Rp 1/4	40	9	7	F03/F04	60	Ø6	Ø6	0,2
12	PN63	Rp 3/8	40	9	7	F03/F04	60	Ø6	Ø6	0,2
16	PN63	Rp 1/2	40	9	7	F03/F04	75	Ø6	Ø6	0,7
20	PN63	Rp 3/4	44	9	9	F03/F04	80	Ø6	Ø6	0,8
25	PN63	Rp 1	52	11	12	F04/F05	90	Ø6	Ø7	1,2
32	PN63	Rp 1 1/4	58	11	12	F04/F05	110	Ø7	Ø7	1,9
40	PN63	Rp 1 1/2	68	14	16	F05/F07	120	Ø7	Ø9	2,8
50	PN63	Rp 2	77	14	16	F05/F07	140	Ø7	Ø9	4,5
65	PN63	Rp 2 1/2	98	17	19	F07/F10	185	Ø9	Ø11	9,2
80	PN63	Rp 3	110	17	19	F07/F10	205	Ø9	Ø11	13,9

Product-Datasheet ESK-ISO

2-way-stainless steel-socket ball valve with ISO-flange for actuator



von Scheven

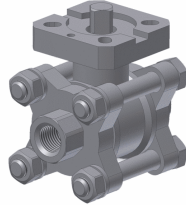
Armaturenfabrik und Apparatebau

E	V30
	005
	state 01/09

Rudolf von Scheven GmbH
Wuppertaler Str. 10-12, 45549 Sprockhövel
www.von-scheven.com

Tel. + 49 (0)23 24 / 97 42 - 0
Fax + 49 (0)23 24 / 97 42 - 10
eMail sales@von-scheven.com

2-way-stainless steel – socket ball valve with ISO-flange for actuator 3-pieces



Technical description

High-quality industry ball valve with full flow and assembly flange. The ball valve can be delivered with an pneumatic, electric-, or hydraulic actuator.

3-piece body construction, anti blow-out design,
spindle assembled from inside,
maintenance free spindle sealing,
assembly flange acc. to DIN EN ISO 5211,
variable mounting position

Allowed operating temperature -20°C up to +150°C

Name	Material
Body	DIN/EN: 1.4408-VA
Ball	DIN/EN: 1.4401-VA
seal	DIN/EN: PTFE-glass fibre/FPM

Depending on the design, not all positions are used with every nominal diameter. In special types, several parts may be made of different materials.

In case of very low working pressure, use the low-pressure type with modified seals.

If you have other demands, different from the here specified standard operational conditions, please feel free to request them separately.

The operating and maintenance manual and in particular the safety instructions have to be followed. They can be downloaded from www.von-scheven.com, as well as certificates and approvals.

All dimensions in mm.

Technical changes reserved.