

Product-Datasheet EFK

Stainless steel-ball valve with flange



von Scheven

Armaturenfabrik und Apparatebau

E	V30
	003
	state 01/08

Rudolf von Scheven GmbH
Wuppertaler Str. 10-12, 45549 Sprockhövel
www.von-scheven.com

Tel. + 49 (0)23 24 / 97 42 - 0
Fax + 49 (0)23 24 / 97 42 - 10
eMail sales@von-scheven.com

Ball valve with flange Stainless steel

DN 15 - 200
PN max. 40 bar



Technical description

The 2-piece stainless steel ball valve type EFK is designed for all technical applications with a max. nominal pressure of up to 40bar. The spindle has a sealing packing. The use of an actuator is possible with an extension set.

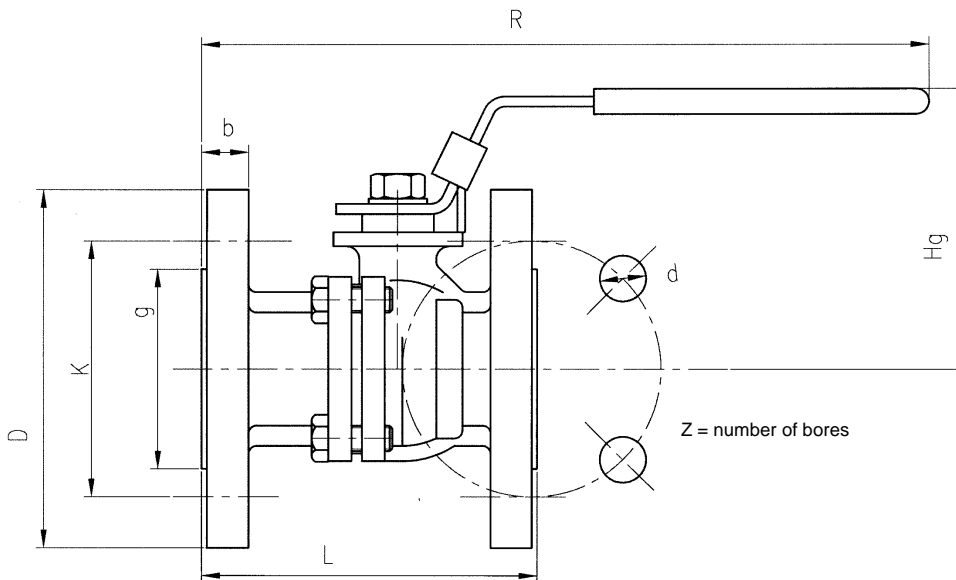
Type series

26 - PN16 acc. to DIN EN 1092-1
28 - PN40 acc. to DIN EN 1092-1

materials:

body: 1.4408
ball: 1.4408
spindle: 1.4404
ball seal: PTFE
spindle seal: PTFE

Allowed operating temperature: -10°C up to +200 °C



Technical Data type series 26 (PN16 acc. To DIN EN 1092-1)

DN	PN	Face-to-face length	L	D	g	K	b	z	d	Hg	R	Weight (kg)
15 - 50	16	Use ball valves type series 28 (PN40)										
65	16	63	170	185	122	145	18	4	18	146	300	
80	16	76	180	200	138	160	20	4	18	162	390	
100	16	100	190	220	158	180	20	8	18	182	390	
125	16	125	325	250	186	210	22	8	18	225	750	
150	16	150	350	285	212	240	24	8	22	275	750	
200	16	200	400	340	268	295	24	12	22	340	1000	

Product-Datasheet EFK

Stainless steel-ball valve with flange



von Scheven

Armaturenfabrik und Apparatebau

E	V30
	003
	state 01/08

Rudolf von Scheven GmbH
Wuppertaler Str. 10-12, 45549 Sprockhövel
www.von-scheven.com

Tel. + 49 (0)23 24 / 97 42 - 0
Fax + 49 (0)23 24 / 97 42 - 10
eMail sales@von-scheven.com

Technical data series 28 (PN40 acc. to DIN EN 1092-1)												
DN	PN	Face-to-face length	L	D	g	K	b	z	d	Hg	R	Weight (kg)
15	40	15	115	95	45	65	16	4	14	85	170	
20	40	20	120	105	58	75	18	4	14	87	170	
25	40	25	125	115	68	85	18	4	14	105	205	
32	40	32	130	140	78	100	18	4	18	111	205	
40	40	38	140	150	88	110	18	4	18	129	265	
50	40	50	150	165	102	125	20	4	18	134	265	

Ordering example: ball valve type EFK DN100 with flange DN100 PN16
⇒ EFK 100 26

If you have other demands, different from the here specified standard operational conditions, please feel free to request them separately.

In case of very low working pressure, use the low-pressure type with modified seals.

The operating and maintenance manual and in particular the safety instructions have to be followed. They can be downloaded from www.von-scheven.com, as well as certificates and approvals.

All dimensions in mm.
Technical changes reserved.