

Product-Datasheet ESK

Stainless steel-ball valve wit female thread



von Scheven

Armaturenfabrik und Apparatebau

E	V30
	002
	state 08/06

Rudolf von Scheven GmbH
Wuppertaler Str. 10-12 45549 Sprockhövel
www.von-scheven.com

Tel. + 49 (0)23 24 / 97 42 - 0
Fax + 49 (0)23 24 / 97 42 - 10
eMail sales@von-scheven.com

Ball valve stainless steel

DN 8 - 100
PN 63 bar



Technical description

The 2-piece stainless steel ball valve type ESK is designed for all technical applications with a max. nominal pressure of up to 63bar. The spindle has a sealing packing.

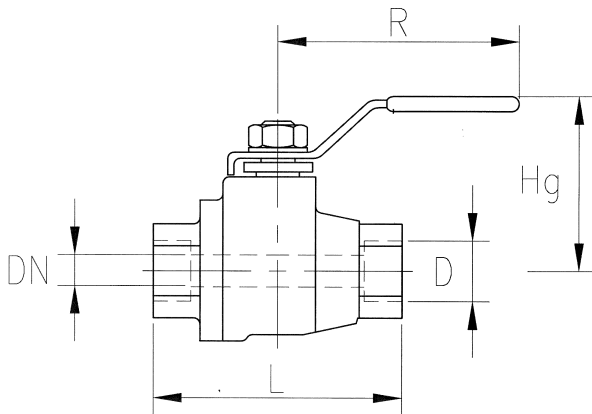
type serie

06 – female thread on both sides acc. to ISO 7/1 - ISO 228/1 - DIN 2999

materials:

body: 1.4408
ball: 1.4408
spindel: 1.4404
Kugeldichtungen: PTFE
Spindeldichtung: PTFE

Allowed operating temperature: -10 °C up to +200 °C



Technical data type series 06 (female thread on both sides acc. to DIN EN ISO 228/1)

DN	PN	Lichte Weite	D	L	R	Hg	weight (kg)
8	63	11,6	1/4"	55	100	50	0,26
10	63	12,5	3/8"	60	100	50	0,28
15	63	16	1/2"	75	100	50	0,3
20	63	20	3/4"	80	125	60	0,55
25	63	25	1"	90	160	70	0,84
32	63	32	1 1/4"	110	160	80	1,26
40	63	38	1 1/2"	120	190	90	2
50	63	50	2"	140	190	90	3,13
65	63	65	2 1/2"	185	250	145	6
80	63	80	3"	205	250	145	10
100	63	100	4"	240	320	175	20,7

Ordering example: ball valve Type ESK DN15 with female thread acc. to DIN EN ISO 228/1
⇒ ESK 15 06

Depending on the design, not all positions are used with every nominal diameter. In special types, several parts may be made of different materials. Flanged ball valves with turnable flanges are available in DN 15 up to DN 50.

If you have other demands, different from the here specified standard operational conditions, please feel free to request them separately.

The operating and maintenance manual and in particular the safety instructions have to be followed. They can be downloaded from www.von-scheven.com, as well as certificates and approvals.

All dimensions in mm.
Technical changes reserved.