

Product-Datasheet HBPD-C

3/2-way-high-pressure-block-ball valve
for manifold assembling



von Scheven

Armaturenfabrik und Apparatebau

E	V20 001
	state 03/08

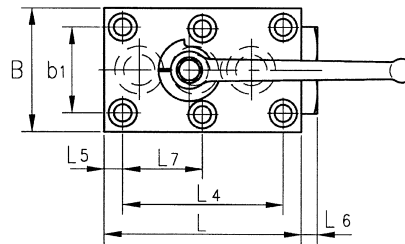
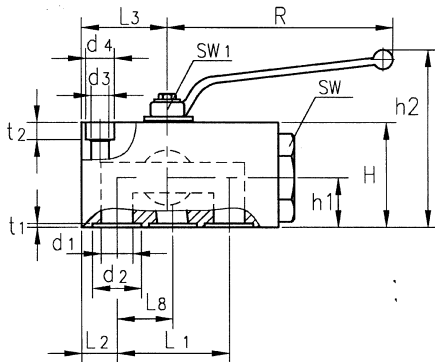
Rudolf von Scheven GmbH
Wuppertaler Str. 10-12 45549 Sprockhövel
www.von-scheven.com

Tel. + 49 (0)23 24 / 97 42 - 0
Fax + 49 (0)23 24 / 97 42 - 10
eMail sales@von-scheven.com

3-way-High-pressure-block-ball valve for manifold assembling steel



DN 6 - 25
PN max. 500 bar



3/2-way-ball valve DN 32 up to
DN 50 also
multiway-ball valve DN 6 up to
DN 50 on request

Technical datas														
DN	PN	L1	L2	L3	L4	L5	L6	L7	L8	L	b1	B	H	h1
6	500	35	8,5	24,5	35	8,5	5	-	17,5	57	27	40	40	22,5
10	500	44	10	30	55	7,5	5	27,5	22	76	40	55	45	20
16	500	58	18	44,3	83	9	10	41,5	29	102	45	65	55	26
20	315	69	20	51	97	19	19	48,5	34,5	117	51	70	70	40
25	315	81	24	60	115	10	7	57,5	40,5	135	60	80	80	46

Technical datas												
DN	h2	t1	t2	d1	d2	d3	d4	SW1	SW	R	weight (kg)	
6	72	1,8	7	6	12	6,5	11	7	22	80	0,7	
10	97	1,8	9	9,5	15	9	13,5	10	27	112	1,3	
16	95	1,8	9	16	25	9	14,5	10	36	130	2,4	
20	110	2,7	14	20	30	11	18	10	41	130	4,1	
25	120	2,7	11	23,5	35	11	18	10	50	160	6,3	

Ordering example: ball valve Type HBPD-C 25 ⇒ HBPD-C 25, steel, DN25

Product-Datasheet HBPD-C

3/2-way-high-pressure-block-ball valve for manifold assembling



von Scheven

Armaturenfabrik und Apparatebau

E	V20 001
	state 03/08

Rudolf von Scheven GmbH
Wuppertaler Str. 10-12 45549 Sprockhövel
www.von-scheven.com

Tel. + 49 (0)23 24 / 97 42 - 0
Fax + 49 (0)23 24 / 97 42 - 10
eMail sales@von-scheven.com

3-way-high-pressure-block-ball valve for manifold assembling, steel

DN 6 - 25
PN max. 500 bar



Technische Beschreibung

The ball valve HBPD-C is especially designed for the use on control blocks. Because of the direkt connection tubes or hoses are not necessary.

This type of ball valve is designed as a change-over-ball valve.

The use of an actuator is possible with an extension set, but this possibility has to be orderd seperately.

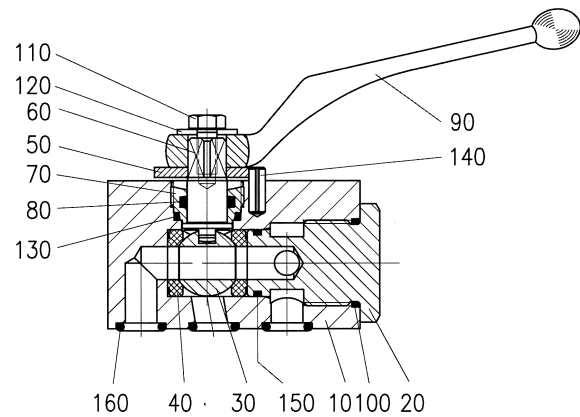
Application area

For non-aggressive fluids and gases. Firthermore, the resistiveness against the flow medium generally has to be given.

Allowed operating temperature: -10 °C up to +90 °C

Differing temperatures on request.

Bill of materials			
Pos.	name	material	Wnr./DIN
10	body	11SMn30	1.0715
20	thread	11SMn30	1.0715
30	ball	11SMn30	1.0715
40	seal	POM	
50	stop washer	Stahl	
60	spindel	11SMn30	1.0715
70	fitting	CuZn39Pb3	2.0401
80	o-ring	NBR	
90	hand-lever	Z410	
100	o-ring	NBR	
110	screw		DIN EN ISO 2.4017
120	washer		DIN EN ISO 7093
130	o-ring	NBR	
140	stop pin		DIN EN ISO 8740
150	o-ring	NBR	
160	o-ring	NBR	



All spare parts are available as installation kit.

Depending on the design, not all positions are used with every nominal diameter. In special types, several parts may be made of different materials.

If you have other demands, different from the here specified standard operational conditions, please feel free to request them separately

In case of very low working pressure, use the low-pressure type with modified seals.

The operating and maintenance manual and in particular the safety instructions have to be followed. They can be downloaded from www.von-scheven.com, as well as certificates and approvals.

All dimensions in mm.
Technical changes reserved.