



# Produkt-Datenblatt HBP-C

## 2/2-way-high-pressure-block-ball valve for manifold assembling



**von Scheven**

Armaturenfabrik und Apparatebau

D	V20 000
	state 01/09

Rudolf von Scheven GmbH  
Wuppertaler Str. 10-12, 45549 Sprockhövel  
www.von-scheven.com

Tel. + 49 (0)23 24 / 97 42 - 0  
Fax + 49 (0)23 24 / 97 42 - 10  
eMail sales@von-scheven.com

### 2/2-way-high-pressure-block-ball valve for manifold assembling steel

DN 6 - 25  
PN max. 500 bar



#### Technical Description

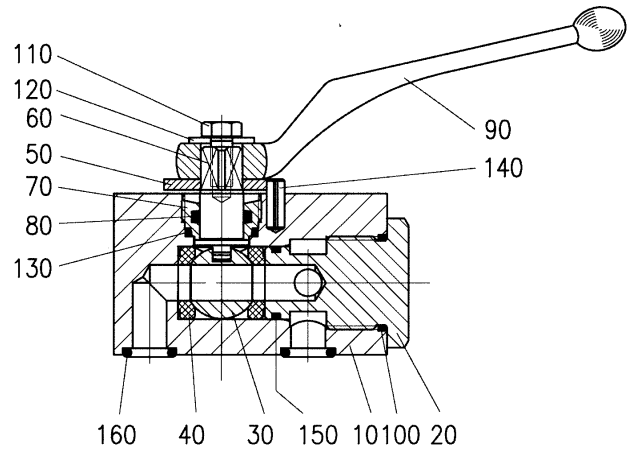
The ball valve HBP-C is especially designed for the use on control blocks. Because of the direct connection tubes or hoses are not necessary. The use of an actuator is possible with an extension set, but this possibility has to be ordered separately.

#### Application area

For non-aggressive fluids and gases. Furthermore, the resistiveness against the flow medium generally has to be given

**Allowed operating temperature:** -10 °C up to +90 °C  
Differing temperatures on request.

Bill of materials			
Pos.	name	material	Wnr./DIN
10	body	11SMn30	1.0715
20	thread	11SMn30	1.0715
30	ball	11SMn30	1.0715
40	seal	POM	
50	stop washer	Steel	
60	spindel	11SMn30	1.0715
70	fitting	CuZn39Pb3	2.0401
80	o-ring	NBR	
90	hand-lever	Z410	
100	o-ring	NBR	
110	screw		DIN EN ISO 2.4017
120	washer		DIN EN ISO 7093
130	o-ring	NBR	
140	stop pin		DIN EN ISO 8740
150	o-ring	NBR	
160	o-ring	NBR	



All spare parts are available as installation kit.

Depending on the design, not all positions are used with every nominal diameter. In special types, several parts may be made of different materials.

If you have other demands, different from the here specified standard operational conditions, please feel free to request them separately

In case of very low working pressure, use the low-pressure type with modified seals.

The operating and maintenance manual and in particular the safety instructions have to be followed. They can be downloaded from [www.von-scheven.de](http://www.von-scheven.de), as well as certificates and approvals.

All dimensions in mm.  
Technical changes reserved.