

Product-Datasheet HBDA-C and HBVA-C

High-pressure-block-multiway-ball valve with male thread



von Scheven

Armaturenfabrik und Apparatebau

E	V12
	003
	state 08/06

Rudolf von Scheven GmbH
Wuppertaler Str. 10-12 45549 Sprockhövel
www.von-scheven.com

Tel. + 49 (0)23 24 / 97 42 - 0
Fax + 49 (0)23 24 / 97 42 - 10
eMail sales@von-scheven.com

HBDA-C High-pressure-block-3-way-ball valve with male thread, steel

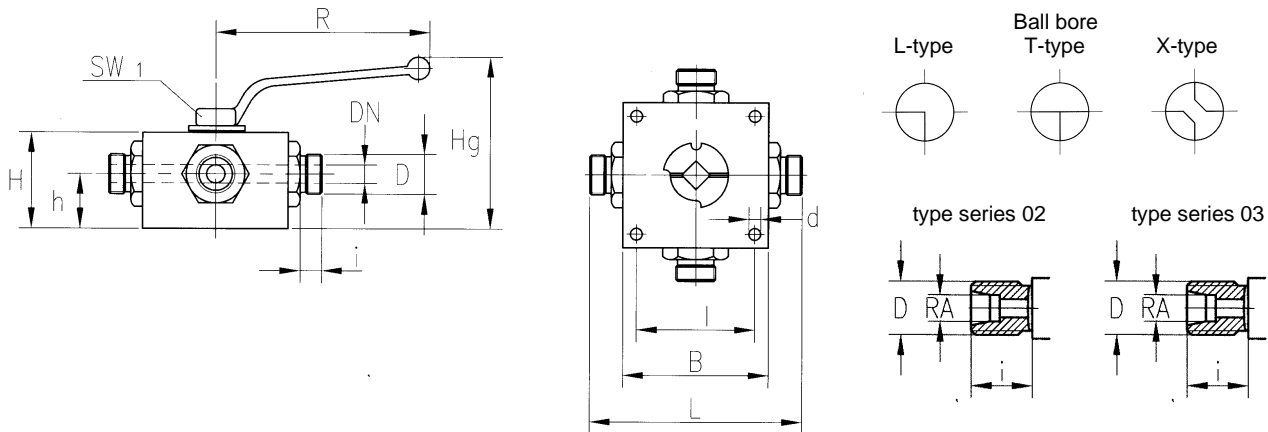
HBVA-C High-pressure-block-4-way-ball valve with male thread, steel



DN 4 - 25
PN max. 500 bar

type series

- 02 - male thread for detachable tube fitting on both sides with cutting ring acc. to DIN 2353 – light series
- 03 - male thread for detachable tube fitting on both sides with cutting ring acc. to DIN 2353 – heavy series



Technical data type series 02 (for detachable tube fitting with cutting ring acc. to DIN2353 light series)

DN	RA	PN	D	i	L	I	B	d	H	h	Hg	R	SW1	weight (kg)
4	6	500	M 12x1,5	10	102	55	70	6,5	45	26	91	160	10	1,7
6	8	500	M 14x1,5	10	102	55	70	6,5	45	26	91	160	10	1,7
8	10	400	M 16x1,5	11	114	65	80	6,5	53	30	103	160	10	2,6
10	12	400	M 18x1,5	11	114	65	80	6,5	53	30	103	160	10	2,6
12	15	315	M 22x1,5	12	136	80	100	9	60	35	122	250	17	4,4
16	18	315	M 26x1,5	12	136	80	100	9	60	35	122	250	17	4,4
20	22	250	M 30x2	14	150	85	106	9	72	42,5	126	350	22	5,8
25	28	160	M 36x2	14	170	105	126	11	85	47,5	139	350	22	9,5

Note! The pressure range of the tube fitting may differ from the nominal pressure of the ball valve.

Technical data type series 03 (for detachable tube fitting with cutting ring acc. to DIN2353 heavy series)

DN	RA	PN	D	i	L	I	B	d	H	h	Hg	R	SW1	weight (kg)
4	8	500	M 16x1,5	12	106	55	70	6,5	45	26	91	160	10	1,7
6	10	500	M 18x1,5	12	106	55	70	6,5	45	26	91	160	10	1,7
8	12	400	M 20x1,5	12	116	65	80	6,5	53	30	103	160	10	2,6
10	14	400	M 22x1,5	14	120	65	80	6,5	53	30	103	160	10	2,6
12	16	315	M 24x1,5	14	140	80	100	9	60	35	122	250	17	4,4
16	20	315	M 30x2	16	144	80	100	9	60	35	122	250	17	4,4
20	25	250	M 36x2	18	158	85	106	9	72	42,5	126	350	22	5,8
25	30	160	M 42x2	20	190	105	126	11	85	47,5	139	350	22	9,5

Note! The pressure range of the tube fitting may differ from the nominal pressure of the ball valve.

Ordering example: 3-way-ball valve Type HBDA-C steel, DN 12 with male thread für detachable tube fitting with cutting ring acc. to DIN 2353 – light series and ball bore T-type
⇒ HDBA-C 12 02-T

Product-Datasheet HBDA-C and HBVA-C

High-pressure-block-multiway-ball valve with male thread



von Scheven

Armaturenfabrik und Apparatebau

E	V12
	003
	state 08/06

Rudolf von Scheven GmbH
Wuppertaler Str. 10-12 45549 Sprockhövel
www.von-scheven.com

Tel. + 49 (0)23 24 / 97 42 - 0
Fax + 49 (0)23 24 / 97 42 - 10
eMail sales@von-scheven.com

HBDA-C High-pressure-block- 3-way-ball valve with male thread steel

HBVA-C High-pressure-block- 4-way-ball valve with male thread steel



Technical description

The ball valve type HBDA-C and HBVA-C consists of a block body with a screwed-in connector on both sides. The use of an actuator is possible with an extension set. This possibility is to be announced with your order (additional charge).

Application area

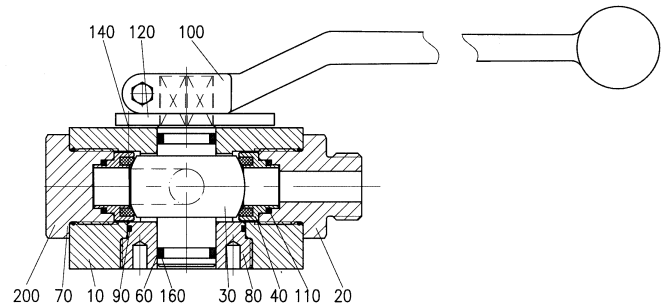
For non-aggressive fluids and gases. Furthermore, the resistiveness against the flow medium generally has to be given.

Allowed operating temperature: -10 °C up to +90 °C

Differing temperatures on request.

DN 4 - 25
PN max. 500 bar

Bill of materials			
Pos.	name	material	Wnr./DIN
10	body	11SMn30 S355J2G3	1.0715 1.0570
20	thread	11SMn30	1.0715
30	ball	11SMn30	1.0715
40	sealing piston	POM/CuZn39Pb3	
60	o-ring	NBR	
70	o-ring	NBR	
80	fitting	11SMn30	1.0715
90	o-ring	NBR	
100	hand-lever	Z410	
110	o-ring	NBR	
120	stop washer	steel	
140	stop pin		DIN EN ISO 8740
160	support ring	PTFE	
200	blind plug	11SMn30	1.0715



On demand a stainless steel version is available.

Depending on the design, not all positions are used with every nominal diameter. In special types, several parts may be made of different materials.

If you have other demands, different from the here specified standard operational conditions, please feel free to request them separately.

In case of very low working pressure, use the low-pressure type with modified seals.

The operating and maintenance manual and in particular the safety instructions have to be followed. They can be downloaded from www.von-scheven.com, as well as certificates and approvals.

All dimensions in mm.
Technical changes reserved.