

Product-Datasheet NBDI-C and NBVI-C

Low-pressure-block-multiway ball valve with female thread



von Scheven

Armaturenfabrik und Apparatebau

E	V12
	000
	state 08/06

Rudolf von Scheven GmbH
Wuppertaler Str. 10-12 45549 Sprockhövel
www.von-scheven.com

Tel. + 49 (0)23 24 / 97 42 - 0
Fax + 49 (0)23 24 / 97 42 - 10
eMail sales@von-scheven.com

NBDI-C
low-pressure-block-3-
way-ball valve with
female thread
steel

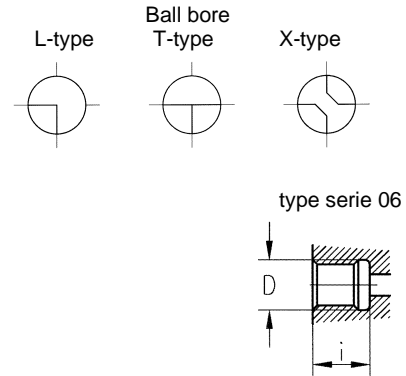
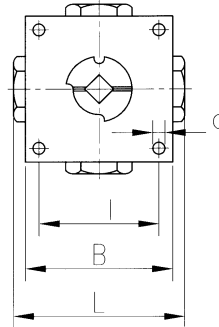
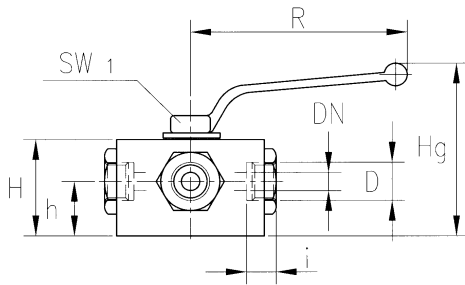
NBVI-C
Low-pressure-block-
4-way-ball valve with
female thread
steel



Type series

06 – female thread on both sites acc. to DIN ISO 228 / 1

DN 4 - 25
PN max. 40 bar



Technical data type series 06 (female thread acc. to DIN ISO 228/1)

DN	PN	D	i	L	I	B	d	H	h	Hg	R	SW 1	weight (kg)
4	40	G 1/8	11	90	55	70	6,5	45	26	91	160	10	1,7
6	40	G 1/4	12,5	90	55	70	6,5	45	26	91	160	10	1,7
10	40	G 3/8	12,5	100	65	80	6,5	53	30	103	160	10	2,6
15	40	G 1/2	14,5	120	80	100	9	60	35	122	250	17	4,4
20	40	G 3/4	18	130	85	106	9	72	42,5	125	350	22	5,8
25	25	G 1	20	150	105	126	11	85	47,5	139	350	22	9,5

Ordering example: 3-way-ball valve Type NBDI-C, steel, DN15 with female thread acc. to DIN ISO 228/1;
and ball bore L-type
⇒ NBDI-C 15 06-L

Product-Datasheet NBDI-C and NBVI-C

Low-pressure-block-multiway ball valve with female thread



von Scheven

Armaturenfabrik und Apparatebau

E	V12
	000
	state 08/06

Rudolf von Scheven GmbH
Wuppertaler Str. 10-12 45549 Sprockhövel
www.von-scheven.com

Tel. + 49 (0)23 24 / 97 42 - 0
Fax + 49 (0)23 24 / 97 42 - 10
eMail sales@von-scheven.com

NBDI-C

Low-Pressure-block-ball valve with female thread
steel

NBVI-C

Low-pressure-block-4-way-ball valve with female thread
steel



Technical description

The ball valve type NBDI-C and NBVI-C consists of a block body with screwed-in connectors. The use of an actuator is possible with an extension set. This possibility is to be announced with your order (additional charge).

Verwendungsbereich

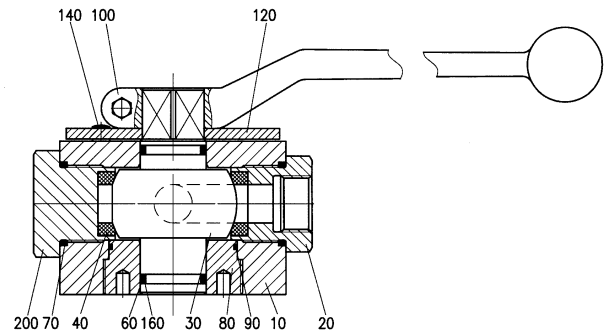
For non-aggressive fluids and gases. Furthermore, the resistiveness against the flow medium generally has to be given.

Allowed operating temperature: -20 °C up to +90 °C
Differing temperatures on request.

DN 4 - 25

PN max. 40 bar

Bill of materials			
Pos.	name	material	Wnr./DIN
10	body	11SMn30	1.0715
20	thread	11SMn30	1.0715
30	ball	11SMn30	1.0715
40	seal	PTFE	
60	o-ring	NBR	
70	o-ring	NBR	
80	fitting	11SMn30	1.0715
90	o-ring	NBR	
100	hand-lever	Z410	
120	stop washer	steel	
140	stop pin		DIN EN ISO 8740
160	support ring	PTFE	
200	blind plug	11SMn30	1.0715



Depending on the design, not all positions are used with every nominal diameter. In special types, several parts may be made of different materials.

If you have other demands, different from the here specified standard operational conditions, please feel free to request them separately.

The operating and maintenance manual and in particular the safety instructions have to be followed. They can be downloaded from www.von-scheven.com, as well as certificates and approvals.

All dimensions in mm.