

Product-Datasheet DBA-C

3-way change-over ball valve with male thread



von Scheven

Armaturenfabrik und Apparatebau

E	V10
	001
	state 08/06

Rudolf von Scheven GmbH
Wuppertaler Str. 10-12 45549 Sprockhövel
www.von-scheven.com

Tel. + 49 (0)23 24 / 97 42 - 0
Fax + 49 (0)23 24 / 97 42 - 10
eMail sales@von-scheven.com

3-way change over with male thread steel

DN 4 - 40

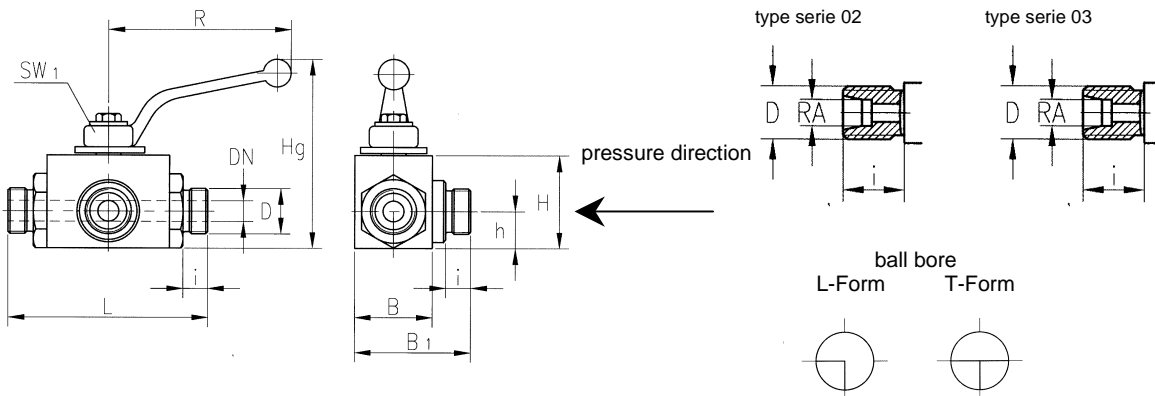
PN up to 500 bar



Type serie

02 - male thread on both sides for detachable tube thread with cutting ring acc. to DIN 2353 - light serie

03 - male thread on both sides for detachable tube thread with cutting ring acc. to DIN 2353 – heavy serie



Technical data type series 02 (for detachable tube thread with cutting ring acc. to DIN2353 light serie)

DN	IW	RA	PN	D	i	L	B	B1	H	h	Hg	R	SW1	weight (kg)
4	4	6	500	M 12X1,5	10	76	25	43	30	12,5	61	76	7	0,4
6	6	8	500	M 14x1,5	10	76	25	43	30	12,5	61	76	7	0,4
8	8	10	500	M 16x1,5	11	76	30	47	40	15	92	112	10	0,6
10	9	12	500	M 18x1,5	11	80	30	47	40	15	92	112	10	0,6
12	12	15	500	M 22x1,5	12	96	35	53	45	18	85	130	10	0,9
16	14	18	400	M 26x1,5	12	105	40	58	50	21	90	130	10	1,1
20	16	22	315	M 30x2	14	110	45	65	55	24	95	130	10	1,4
25	23	28	315	M 36x2	14	120	55	75	65	30	113	160	10	2,4
32	23	35	315	M 45x2	16	124	55	77	65	30	113	160	10	3,8
40	23	42	315	M 52x2	16	124	55	77	65	30	113	160	10	4,5

Note! The pressure range of the tube fitting may differ from the nominal pressure of the ball valve.

Technical data type series 03 (for detachable tube thread with cutting ring acc. to DIN2353 heavy serie)

DN	IW	RA	PN	D	i	L	B	B1	H	h	Hg	R	SW1	weight (kg)
4	4	8	500	M 16x1,5	12	76	25	43	30	12,5	61	76	7	0,4
6	6	10	500	M 18x1,5	12	76	25	43	30	12,5	61	76	7	0,4
8	8	12	500	M 20x1,5	12	76	30	48	40	15	92	112	10	0,6
10	10	14	500	M 22x1,5	14	80	30	50	40	15	92	112	10	0,6
12	12	16	500	M 24x1,5	14	96	35	55	45	18	85	130	10	0,9
16	16	20	400	M 30x2	16	105	40	62	50	21	90	130	10	1,1
20	16	25	315	M 36x2	18	110	45	69	55	24	95	130	10	1,4
25	23	30	315	M 42x 2	20	132	55	81	65	30	113	160	10	2,4
32	25	35	315	M 52x2	22	136	55	84	65	30	113	160	10	4,0

Note! The pressure range of the tube fitting may differ from the nominal pressure of the ball valve.

Ordering example: ball valve Type DBA-C steel, DN12 with male thread for detachable tube thread with cutting ring acc. to 2353 - light series (please name the ball configuration)
⇒ DBA-C 12 02

Product-Datasheet DBA-C

3-way change-over ball valve with male thread



von Scheven

Armaturenfabrik und Apparatebau

E	V10
	001
	state 08/06

Rudolf von Scheven GmbH
Wuppertaler Str. 10-12 45549 Sprockhövel
www.von-scheven.com

Tel. + 49 (0)23 24 / 97 42 - 0
Fax + 49 (0)23 24 / 97 42 - 10
eMail sales@von-scheven.com

3-way-change-over with male thread

DN 4 - 40

PN up to 500 bar



Technical description

The ball valve type DBA-C consists of a block body with screwed-in connectors on both sides. The spindle has an anti-blow-out design and is assembled from the outside. Due to this screwing, the seal of the spindle can easily be changed. The use of an actuator is possible with an extension set.

This possibility is to be announced with your order (additional charge).

Application area:

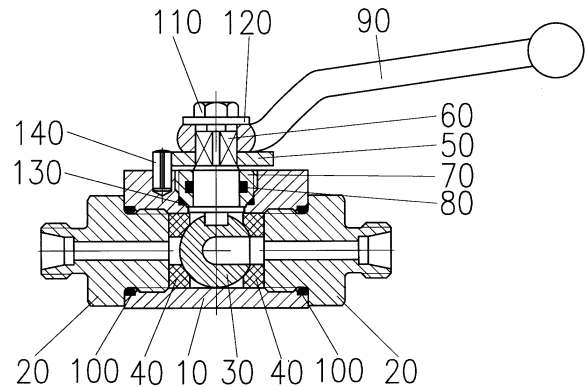
For non-aggressive fluids and gases. Furthermore, the resistiveness against the flow medium generally has to be given.

Allowed operating temperature: -10 °C up to +90 °C

Differing temperatures on request.

Bill of materials

Pos.	name	material	Wnr./DIN
10	body	11SMn30	1.0715
20	thread	11SMn30	1.0715
30	ball	11SMn30	1.0715
40	seal	POM	
50	stop washer	steel	
60	spindle	11SMn30	1.0715
70	fitting	CuZn39Pb3	2.0401
80	o-ring	NBR	
90	hand-lever	Z410	
100	o-ring	NBR	
110	screw		DIN EN ISO 2.4017
120	washer		DIN EN ISO 7093
130	o-ring	NBR	
140	stop pin		DIN EN ISO 8740



Depending on the design, not all positions are used with every nominal diameter. In special types, several parts may be made of different materials.

If you have other demands, different from the here specified standard operational conditions, please feel free to request them separately.

In case of very low working pressure, use the low-pressure type with modified seals.

The operating and maintenance manual and in particular the safety instructions have to be followed. They can be downloaded from www.von-scheven.com, as well as certificates and approvals.

All dimensions in mm.

Technical changes reserved.