

Product-Datasheet DBI-C

3-way-change-over-ball valve with female thread



von Scheven

Armaturenfabrik und Apparatebau

E	V10
	000
	state 08/06

Rudolf von Scheven GmbH
Wuppertaler Str. 10-12 45549 Sprockhövel
www.von-scheven.com

Tel. + 49 (0)23 24 / 97 42 - 0
Fax + 49 (0)23 24 / 97 42 - 10
eMail sales@von-scheven.com

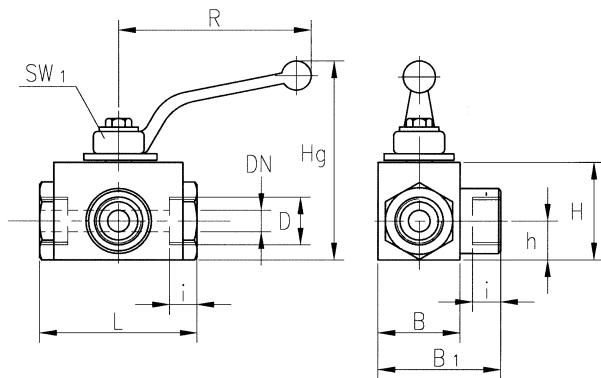
3-way-change-over-ball valve steel

DN 4 - 50
PN up to 500 bar

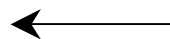


Type series

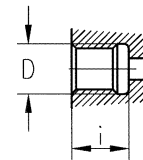
06 – with female thread on both sides acc. to DIN ISO 228 / 1



pressure direction



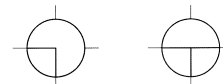
type serie 06



Ball bore

L-Form

T-Form



Technical data type series 06 (female pipe thread acc. to DIN ISO 228/1)

DN	IW	PN	D	i	L	B	B1	H	h	Hg	R	SW1	weight kg
4	4	500	G 1/8	11	50	25	43	30	12,5	61	76	7	0,4
6	6	500	G 1/4	12,5	50	25	43	30	12,5	61	76	7	0,4
10	9	500	G 3/8	12,5	60	30	48	40	15	92	112	10	0,6
15	12	500	G 1/2	15	75	35	55	45	18	85	130	10	0,9
20	16	315	G 3/4	18	80	45	69	55	24	95	130	10	1,2
25	23	315	G 1	20	90	55	81	65	30	113	160	10	2,2
32	30	160	G 1 1/4	22	110	ø76	108	93	38	155	250	17	3,5
40	38	160	G 1 1/2	23	120	ø90	135	104	45	166	250	17	4,8
50	48	160	G 2	26	140	ø100	120	116	50	178	250	17	5,9

Order example:

ball valve Type DBI-C steel, DN15 with female thread acc. to DIN ISO 228/1 (please name ball configuration)
⇒ DHBI-C 15 06

Product-Datasheet DBI-C

3-way-change-over-ball valve with female thread



von Scheven

Armaturenfabrik und Apparatebau

E	V10
	000
	state 08/06

Rudolf von Scheven GmbH
Wuppertaler Str. 10-12 45549 Sprockhövel
www.von-scheven.com

Tel. + 49 (0)23 24 / 97 42 - 0
Fax + 49 (0)23 24 / 97 42 - 10
eMail sales@von-scheven.com

3-way-change over- ball valve steel

DN 4 - 50
PN up to 500 bar



Technical description

The ball valve type DBI-C consists of a block body with screwed-in connectors on both sides. The spindle has an anti-blow-out design and is assembled from the outside. Due to this screwing, the seal of the spindle can easily be changed.

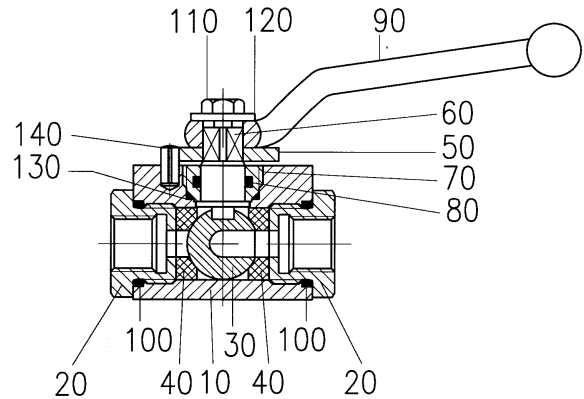
The use of an actuator is possible with an extension set. This possibility is to be announced with your order (additional charge).

Application area

For non-aggressive fluids and gases. Furthermore, the resistiveness against the flow medium generally has to be given.

Allowed operating temperature: -10 °C up to +90 °C
Differing temperatures on request.

Bill of materials			
Pos.	name	material	Wnr./DIN
10	body	11SMn30	1.0715
20	thread	11SMn30	1.0715
30	ball	11SMn30	1.0715
40	seal	POM	
50	stop washer	steel	
60	spindel	11SMn30	1.0715
70	fitting	CuZn39Pb3	2.0401
80	o-ring	NBR	
90	hand-lever	Z410	
100	o-ring	NBR	
110	screw		DIN EN ISO 2.4017
120	washer		DIN EN ISO 7093
130	o-ring	NBR	
140	stop pin		DIN EN ISO 8740



Depending on the design, not all positions are used with every nominal diameter. In special types, several parts may be made of different materials.

In case of very low working pressure, use the low-pressure type with modified seals.

If you have other demands, different from the here specified standard operational conditions, please feel free to request them separately.

The operating and maintenance manual and in particular the safety instructions have to be followed. They can be downloaded from www.von-scheven.com, as well as certificates and approvals.

All dimensions in mm.

Technical changes reserved.