

Product-Datasheet MKA-C

Low-pressure-mining ball valve with male thread



von Scheven

Armaturenfabrik und Apparatebau

E	V08
	001
	state 01/06

Rudolf von Scheven GmbH
Wuppertaler Str. 10-12 45549 Sprockhövel
www.von-scheven.com

Tel. + 49 (0)23 24 / 97 42 - 0
Fax + 49 (0)23 24 / 97 42 - 10
eMail sales@von-scheven.com

Low-pressure-mining – ball valve

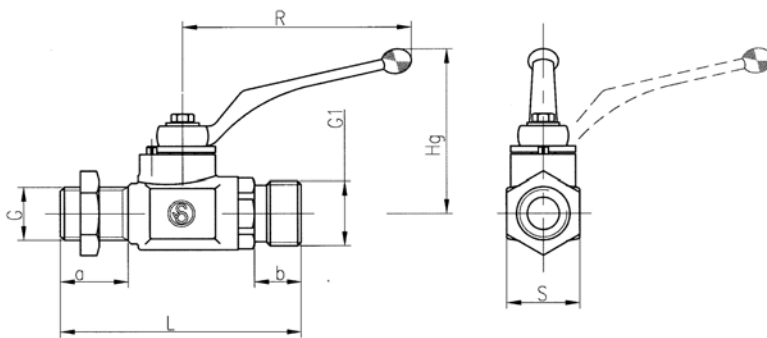
DN 10 - 50

PN max. 100 bar



type serie

MKA - 05 - with male thread on both sides acc. to DIN259
10 - round thread with cone acc. to DIN 20029 and male pipe thread acc. to DIN259



Technical data type series 05 (pipe thread acc. to DIN259)

DN	PN	G	G1	L	S	a	b	R	Hg	weight (kg)
12	100	R3/4	R 3/4 K1:4	118	36	33	25	113	73	0,6
20	63	R1	R1 K1:2,5	127	Ø41	38	22	130	70	0,9

Technical data type series 10 (round thread with cone acc. to DIN 20029)

DN	PN	G	G1	L	S	a	b	R	Hg	weight (kg)
10	100	1/2	Rd 32x1/8"	116	36	28	23	113	79	0,6
12	100	3/4	Rd 32x1/8"	116	36	33	23	113	79	0,6
16	100	3/4	Rd 32x1/8"	118	36	33	23	113	81	0,7
20	63	1	Rd 32x1/8"	122	36	38	23	130	89	0,9
20	63	1	Rd 38x1/8"	132	Ø41	38	26	130	70	1
25	63	1 1/4	Rd 38x1/8"	144	Ø50	41	26	130	74	1,4
25	63	1 1/4	Rd 46x1/6"	149	Ø50	41	30	130	74	1,4
32	16	1 1/2	Rd 55x1/6"	187	Ø75	45	32	250	117	4,1
40	16	2	Rd 62x1/6"	196	Ø80	48	35	250	121	4,3
40	16	2	Rd 75x1/6"	199	Ø80	48	41	250	121	4,7
50	16	2 1/2	Rd 75x1/6"	205	Ø95	50	41	250	128	5,6
50	16	2 1/2	Rd 90x1/6"	216	Ø95	50	49	250	128	6,1

Ordering example: ball vave Type MKA-C, steel, DN20, with Rohrgewinde DIN259 and with Kegel DIN 20029
⇒ MKA 20 10-C
(when ordering round thread, please specify the dimension G1)

Product-Datasheet MKA-C

Low-pressure-mining ball valve with male thread



von Scheven

Armaturenfabrik und Apparatebau

E	V08
	001
	state 01/06

Rudolf von Scheven GmbH
Wuppertaler Str. 10-12 45549 Sprockhövel
www.von-scheven.com

Tel. + 49 (0)23 24 / 97 42 - 0
Fax + 49 (0)23 24 / 97 42 - 10
eMail sales@von-scheven.com

Low-pressure-mining-ball valve

DN 10 - 50
PN max. 100 bar



Technical description

The ball valve MKA is designed for low-pressure applications. On one side a male pipe thread is integrated into the body, on the other side a connector with round thread and inner cone is screwed in. With the serial locknut, tubes or pipes can easily be fixed. The retrofitting of actuators is not possible for this type of ball valves.

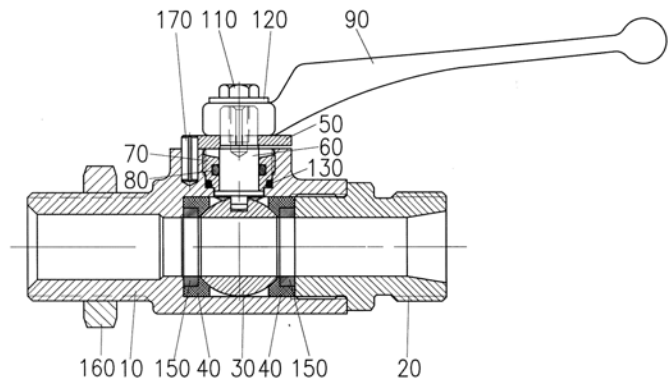
Application area:

For non-aggressive fluids and gases. Furthermore, the resistiveness against the flow medium generally has to be given.

Allowed operating temperature: -10 °C up to +90 °C

Differing temperatures on request.

Bill of materials			
Pos.	name	material	Wnr./DIN
10	body	11SMn30 GJS-400-15	1.0715 0.7040
20	thread	11SMn30	1.0715
30	ball	CuZn39Pb3	2.0401
40	seal	NBR/PTFE	
50	stop washer	steel	
60	spindel	CuZn39Pb3	2.0401
70	fitting	11SMn30	1.0715
80	o-ring	NBR	
90	hand-lever	Z410	
100	o-ring	NBR	
110	screw		DIN EN ISO 2.4017
120	washer		DIN EN ISO 7093
130	o-ring	NBR	
140	stop pin		DIN EN ISO 8740
150	support ring	ULTRAMID	
160	pipe nut	steel	DIN 431



Depending on the design, not all positions are used with every nominal diameter. In special types, several parts may be made of different materials.

If you have other demands, different from the here specified standard operational conditions, please feel free to request them separately.

The operating and maintenance manual and in particular the safety instructions have to be followed. They can be downloaded from www.von-scheven.com, as well as certificates and approvals.

All dimensions in mm.

Technical changes reserved