

# Product-Datasheet HBSK-C und SIBK-C



**von Scheven**

Armaturenfabrik und Apparatebau

<b>E</b>	V08
	000
	state
	10/06

**High-pressure-compact-ball valve with stecko connector 0**

**(female stecko connector – male stecko connector)**

Rudolf von Scheven GmbH

Wuppertaler Str. 10-12 45549 Sprockhövel  
www.von-scheven.com

Tel. + 49 (0)23 24 / 97 42 - 0

Fax + 49 (0)23 24 / 97 42 - 10

eMail sales@von-scheven.com

**High-pressure-compact-ball valve with stecko connector 0 acc. to DIN 20043**

DN 10 - 32  
PN max. 500 bar



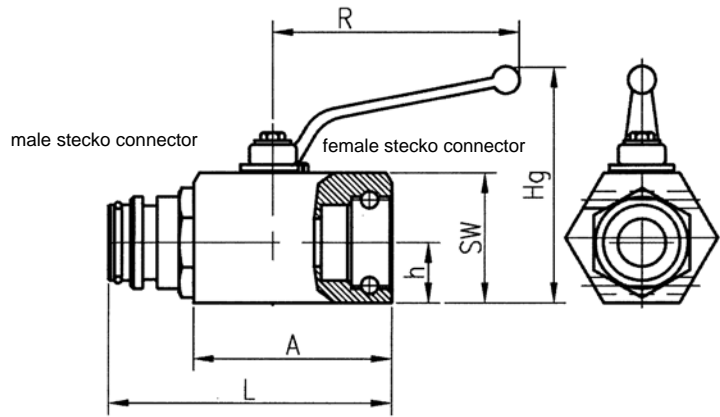
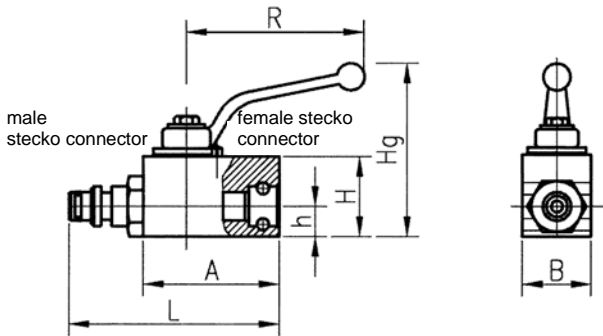
**type series**

15 – connection: female stecko connector – male stecko connector

16 – connection: female stecko connector – female stecko connector

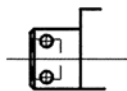
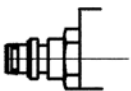
DN 10 up to 20

DN 25 and 32



type series 15

type series 16

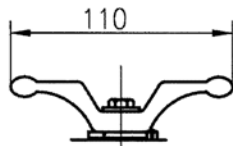


Actuation:



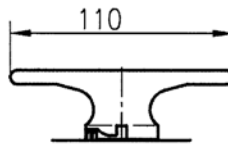
hand-lever

0



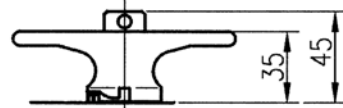
double-handle

1



security locking handle  
DBP

6



security locking handle  
lockable, DBP

6A



# Product-Datasheet HBSK-C und SIBK-C

High-pressure-compact-ball valve

with stecko connector 0

(female stecko connector – male stecko connector)

Rudolf von Scheven GmbH

Wuppertaler Str. 10-12 45549 Sprockhövel

www.von-scheven.com

Tel. + 49 (0)23 24 / 97 42 - 0

Fax + 49 (0)23 24 / 97 42 - 10

eMail sales@von-scheven.com



**von Scheven**

Armaturenfabrik und Apparatebau

E	V08
	000
	state 10/06

## Technical data type series 15 (fixed female stecko connector – fixed male stecko connector)

Steck-O DN	PN (bar)	A	L	h	H	B	SW	R	Hg	weight kg
10	500	70,5	106	15	40	30	-	112	92	
12	500	76	112	18	45	35	-	130	85	
20	320 *	78	114	23	50	40	-	130	90	
25	320 *	90	133	59	-	-	60	160	108	
32	320 *	100	143	62,5	-	-	65	160	113	

\* Special design PN=500bar

## Technical data type series 16 (fixed female stecko connector – fixed female stecko connector)

Steck-O DN	PN (bar)	A	L	h	H	B	SW	R	Hg	weight kg
10	500	70,5	88	15	40	30	-	112	92	
12	500	76	111	18	45	35	-	130	85	
20	320 *	78	118	23	50	40	-	130	90	
25	320 *	90	134	59	-	-	60	160	108	
32	320 *	100	146	62,5	-	-	65	160	113	

\* Special design PN=500bar

Ordering example: ball valve type HBSK-C steel connection: Steck-O DN25 female stecko connector – male stecko connector  
(type series 15) with hand lever  
⇒ HBSK-C 25 15 0

# Product-Datasheet HBSK-C und SIBK-C



**von Scheven**

Armaturenfabrik und Apparatebau

<b>E</b>	V08
	000
	state 10/06

**High-pressure-compact-ball valve with stecko connector 0**

**(female stecko connector – male stecko connector)**

**Rudolf von Scheven GmbH**

Wuppertaler Str. 10-12 45549 Sprockhövel  
www.von-scheven.com

**Tel.** + 49 (0)23 24 / 97 42 - 0

**Fax** + 49 (0)23 24 / 97 42 - 10

**eMail** sales@von-scheven.com

## High-pressure-compact-ball valve with stecko-connector acc. to DIN 20043

DN 10 - 32  
PN max. 500 bar



### Technical description

The ball valve type HBSK-C is a compact-ball valve with an integrated fixed male stecko connector. The anti-blow-out design of the steel spindle with hand-lever or safety handle is based on the maintenance-free o-ring spindle seal. In the version with male/female stecko connector, the ball valve can easily be installed in according high-pressure line systems. With the safety handle, there are two options: The handle can be fixed either only in the open position or both in the open and the closed position.

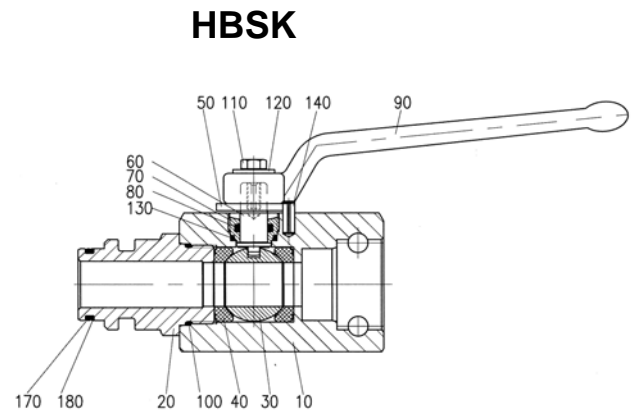
### Application area

For non-aggressive fluids and gases. Furthermore, the resistiveness against the flow medium generally has to be given.

**Allowed operating temperature:** -10 °C up to +90 °C

Differing temperatures on request.

Bill of materials			
Pos.	Name	Material	Wnr./DIN
10	body	11SMn30	1.0715
20	thread	11SMn30	1.0715
30	ball	11SMn30	1.0715
40	seal	POM	
50	stop washer	steel	
60	spindel	11SMn30	1.0715
70	screwing	CuZn39Pb3	2.0401
80	o-ring	NBR	
90	handlever	Z410	
100	o-ring	NBR	
110	screw		DIN EN ISO 2.4017
120	disk		DIN EN ISO 7093
130	o-ring	NBR	
140	stop pin		DIN EN ISO 8740
150	o-ring	NBR	
160	o-ring	NBR	
170	o-ring	NBR	
180	support ring	polyamide	



# Product-Datasheet HBSK-C und SIBK-C

High-pressure-compact-ball valve

with stecko connector 0

(female stecko connector – male stecko connector)

Rudolf von Scheven GmbH

Wuppertaler Str. 10-12 45549 Sprockhövel  
www.von-scheven.com

Tel. + 49 (0)23 24 / 97 42 - 0

Fax + 49 (0)23 24 / 97 42 - 10

eMail sales@von-scheven.com



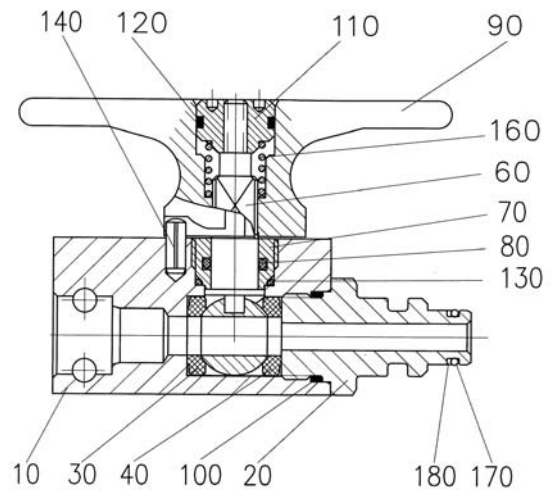
**von Scheven**

Armaturenfabrik und Apparatebau

<b>E</b>	V08
	000
	state 10/06

Bill of materials			
Pos.	Name	material	Wnr./DIN
10	body	11SMn30	1.0715
20	thread	11SMn30	1.0715
30	ball	11SMn30	1.0715
40	seal	POM	
50	stop washer	steel	
60	spindle	X8CrNiS18-9	1.4305
70	screwing	CuZn39Pb3	2.0401
80	o-ring	NBR	
90	Security locking handle	Z410	
100	o-ring	NBR	
110	nut	CuZn39Pb3	2.0401
120	o-ring	NBR	
130	o-ring	NBR	
140	stop pin		DIN 1473 DIN EN ISO 8740
150	o-ring	NBR	
160	spring	X12CrNi177	1.4310
170	o-ring	NBR	
180	support ring	POM	

## SIBK



All spare parts are available as installation kit.

On demand a stainless steel version is available.

Depending on the design, not all positions are used with every nominal diameter. In special types, several parts may be made of different materials.

In case of very low working pressure, use the low-pressure type with modified seals.

If you have other demands, different from the here specified standard operational conditions, please feel free to request them separately.

The operating and maintenance manual and in particular the safety instructions have to be followed. They can be downloaded from [www.von-scheven.com](http://www.von-scheven.com), as well as certificates and approvals.

All dimensions in mm.

Technical changes reserved.