

Product-Datasheet HSKA-D

stainless-high-pressure-ball valve with male thread



von Scheven

Armaturenfabrik und Apparatebau

E	V04
	007
	state 08/06

Rudolf von Scheven GmbH
Wuppertaler Str. 10-12 45549 Sprockhövel
www.von-scheven.com

Tel. + 49 (0)23 24 / 97 42 - 0
Fax + 49 (0)23 24 / 97 42 - 10
eMail sales@von-scheven.com

ball valve stainless steel

DN 32 - 40
PN max. 315 bar

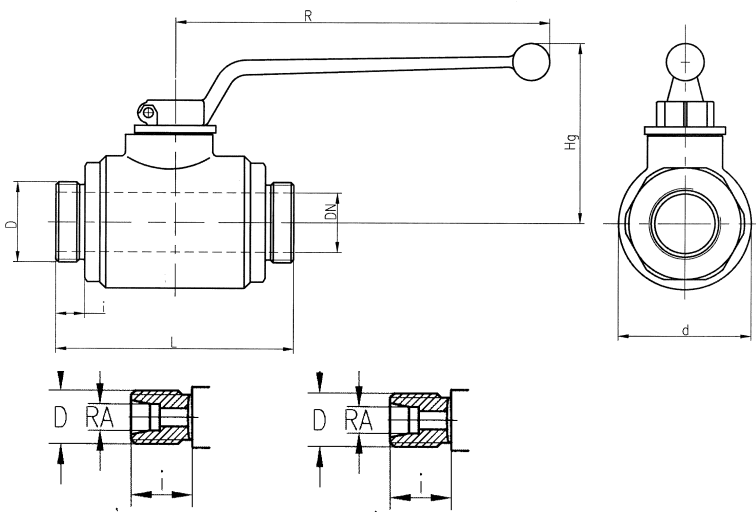
up to DN25 use Type
HBA-D!



face-to-face length HSKA - DIN 3202 serie V1

type serie

- 02 - with male thread on both sides for detachable tube fitting with cutting ring acc. to DIN 2353 – light series
- 03 - with male thread on both sides for detachable tube fitting with cutting ring acc. to DIN 2353 – heavy series



Technical data type series 02 (for detachable pipe fitting with cutting ring acc. to DIN2353 light series)										
DN	RA	PN	D	i	L	d	Hg	R	SW1	weight kg
32	35	315	M 45x2	16	145	ø76	117	250	17	3,5
40	42	315	M 52x2	16	150	ø90	121	250	17	4,1

Note! The pressure range of the tube fitting may differ from the nominal pressure of the ball valve.

Technical data type series 03 (for detachable pipe fitting with cutting ring acc. to DIN2353 heavy series)										
DN	RA	PN	D	i	L	SW	Hg	R	SW1	Gewicht kg
32	38	315	M 52x2	22	145	ø76	117	250	17	3,5

Note! The pressure range of the tube fitting may differ from the nominal pressure of the ball valve

On demand, a light version (nominal pressure PN 160) with modified face-to-face length is available.

Order example: ball valve type HSKA-D stainless steel, DN32 wit male thread for detachable pipe fitting with cutting ring acc. to DIN 2353 – light series
⇒ HSKA-D 32 02

Product-Datasheet HSKA-D

stainless-high-pressure-ball valve with male thread



von Scheven

Armaturenfabrik und Apparatebau

E	V04
	007
	state 08/06

Rudolf von Scheven GmbH
Wuppertaler Str. 10-12 45549 Sprockhövel
www.von-scheven.com

Tel. + 49 (0)23 24 / 97 42 - 0
Fax + 49 (0)23 24 / 97 42 - 10
eMail sales@von-scheven.com

ball valve stainless steel

DN 32 - 40
PN max. 315 bar

up to DN25 use type
HBA-D!



Technical description

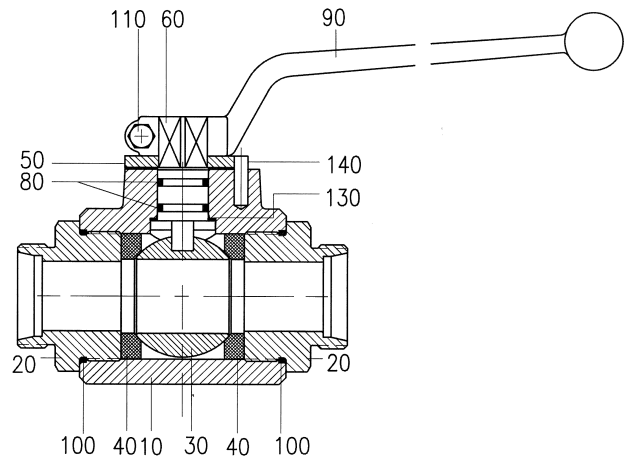
The ball valve type HSLA-D consists of a forged body with a screwed-in connector on one or both sides. The spindle has an anti-blow-out design. A spindle seal acc. to TA-Luft is regularly used in DN32 and above. The use of an actuator for DN 32 and above is possible with an extension set.

Application area

For non-aggressive fluids and gases. Furthermore, the resistiveness against the flow medium generally has to be given.

Allowed operating temperature: -20 °C up to +100 °C
Differing temperatures on request.

Bill of materials			
Pos.	name	material	Wnr./DIN
10	body	X6CrNiMoTi17-12-2	1.4571
20	thread	X6CrNiMoTi17-12-2	1.4571
30	ball	X2CrNiMo17-12-2	1.4404
40	seal	POM	
50	stop washer	X5CrNi18-10	1.4301
60	spindel	X2CrNiMo17-12-2	1.4404
80	o-ring	FPM	
90	hand-lever	Z410	
100	o-ring	FPM	
110	screw		DIN EN ISO 2.4017
130	sliding ring	PTFE	
140	stop pin	1.4305	DIN EN ISO 8740



Depending on the design, not all positions are used with every nominal diameter. In special types, several parts may be made of different materials.

In case of very low working pressure, use the low-pressure type with modified seals.

If you have other demands, different from the here specified standard operational conditions, please feel free to request them separately.

The operating and maintenance manual and in particular the safety instructions have to be followed. They can be downloaded from www.von-scheven.com, as well as certificates and approvals.

All dimensions in mm.
Technical changes reserved.