

Product-datasheet HSKA-C

High-pressure-ball valve with male thread



von Scheven

Armaturenfabrik und Apparatebau

E	V04
	006
	state 01/11

Rudolf von Scheven GmbH
Wuppertaler Str. 10-12 45549 Sprockhövel
www.von-scheven.com

Tel. + 49 (0)23 24 / 97 42 - 0
Fax + 49 (0)23 24 / 97 42 - 10
eMail sales@von-scheven.com

ball valve steel

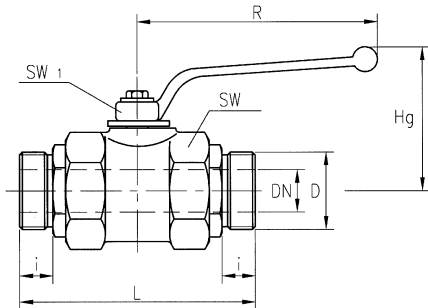
DN 6 - 40
PN max. 500 bar



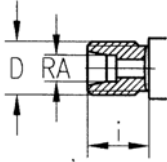
face-to-face length HSKA - DIN 3202 series V1

type series

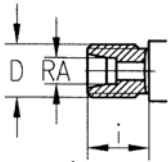
- 01 - male thread on both sides for tube fitting with ball lining acc. to DIN 7601
- 02 - male thread on both sides for detachable tube fitting with cutting ring acc. to DIN 2353 – light series
- 03 - male thread on both sides for detachable tube fitting with cutting ring acc. to DIN 2353 – heavy series
- 05 - flat sealing pipe thread acc. to DIN ISO 228/1
- 44 - male thread on both sides flat sealing acc. to NPT ANSI /ASME B 1.20.1



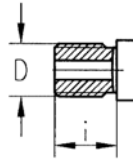
type series 02



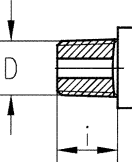
type series 03



type series 05



type series 44



Technical data type series 02 (for detachable pipe fitting with cutting ring acc. to DIN2353 light series)

DN	RA	PN	D	i	L	SW	Hg	R	SW1	weight (kg)
8	10	500	M 16x1,5	11	76	32	77	112	10	0,4
10	12	500	M 18x1,5	11	80	32	77	112	10	0,4
12	15	500	M 22x1,5	12	96	∅40	67	130	10	0,6
16	18	500	M 26x1,5	12	105	∅40	67	130	10	1,0
20	22	315	M 30x2	14	110	46	71	130	10	1,0
25	28	315	M 36x2	14	124**	55	82	160	10	1,6
32	35	315	M 45x2	16	145	70	117	250	17	3,5
40	42	315	M 52x2	16	150	80	121	250	17	4,1

Note! The pressure range of the tube fitting may differ from the nominal pressure of the ball valve.

** face-to-face length differs from V1; please request special face-to-face length, if demanded

Product-datasheet HSKA-C

High-pressure-ball valve with male thread



von Scheven

Armaturenfabrik und Apparatebau

E	V04
	006
	state 01/11

Rudolf von Scheven GmbH
Wuppertaler Str. 10-12 45549 Sprockhövel
www.von-scheven.com

Tel. + 49 (0)23 24 / 97 42 - 0
Fax + 49 (0)23 24 / 97 42 - 10
eMail sales@von-scheven.com

Technical data type series 03 (for detachable pipe fitting with cutting ring acc. to DIN2353 heavy series)

DN	RA	PN	D	i	L	SW	Hg	R	SW1	weight (kg)
8	12	500	M 20x1,5	12	76	32	77	112	10	0,4
10	14	500	M 22x1,5	14	80	32	77	112	10	0,4
12	16	500	M 24x1,5	14	96	ø40	67	130	10	0,6
16	20	500	M 30x2	16	105	ø40	67	130	10	1,0
20	25	315	M 36x2	18	110	46	71	130	10	1,0
25	30	315	M 42x2	20	132**	55	82	160	10	1,6
32	38	315	M 52x2	22	145	70	117	250	17	3,5

Note! The pressure range of the tube fitting may differ from the nominal pressure of the ball valve.

** face-to-face length differs from V1; please request special face-to-face length, if demanded

Technical data type series 05 (for flat sealing pipe fitting acc. to DIN ISO 228/1)

DN	PN	D	i	L	SW	Hg	R	SW1	weight (kg)
8	500	G3/8	12	76	32	77	112	10	0,4
10	500	G1/2	12	80	32	77	112	10	0,4
16	500	G3/4	14	105	ø40	67	130	10	1,0
20	315	G1	16	110	46	71	130	10	1,0
25	315	G1 1/4	18	120	55	82	160	10	1,6

Technical data type series 44 (for flat sealing NPT-male thread acc. to ANSI/ASME B 1.20.1)

DN	PN	D	i	L	SW	Hg	R	SW1	weight (kg)
6	500	NPT 1/4	14,5	84	32	77	112	10	0,4
8	500	NPT 3/8	14,5	93	32	77	112	10	0,4
10	500	NPT 1/2	19	107	ø40	67	130	10	0,6
16	500	NPT 3/4	19	113	ø40	67	130	10	1,0
20	315	NPT 1	24	125	46	71	130	10	1,0
25	315	NPT 1 1/4	24,5	141	55	82	160	10	1,6

On demand, a light version (nominal pressure PN 160) with modified face-to-face length is available.

Order example: ball valve type HSKA-C steel, DN12 with male thread for detachable pipe fitting with cutting ring acc. to DIN 2353 – light series
⇒ HSKA-C 12 02

Product-datasheet HSKA-C

High-pressure-ball valve with male thread



von Scheven

Armaturenfabrik und Apparatebau

E	V04
	006
	state 01/11

Rudolf von Scheven GmbH
Wuppertaler Str. 10-12 45549 Sprockhövel
www.von-scheven.com

Tel. + 49 (0)23 24 / 97 42 - 0
Fax + 49 (0)23 24 / 97 42 - 10
eMail sales@von-scheven.com

ball valve steel

DN 6 - 40
PN max. 500 bar



Technical description

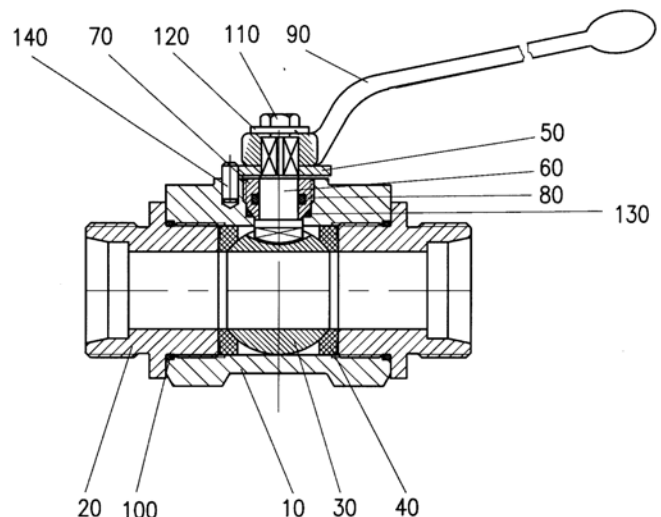
The ball valve type HSKA-C consists of a forged body with a screwed-in connector on one or both sides. The spindle has an anti-blow-out design. Up to DN25 the spindle is assembled from the outside with a screwing. Due to this screwing, the seal of the spindle can easily be changed. A spindle seal acc. to TA-Luft is regularly used in DN32 and above. Up to DN25, TA-Luft can be provided for an additional charge. The use of an actuator for DN 32 and above is possible with an extension set. This expandability is serial.

Application area

For non-aggressive fluids and gases. Furthermore, the resistiveness against the flow medium generally has to be given.

Allowed operating temperature: -20 °C up to +90 °C
Differing temperatures on request.

Bill of materials			
Pos.	name	material	Wnr./DIN
10	body	P250GH	1.0460
20	thread	11SMn30 S355J2G3	1.0715 1.0570
30	ball	11SMn30	1.0715
40	seal	POM	
50	stop washer	Stahl	
60	spindle	11SMn30	1.0715
70	fitting	CuZn39Pb3	2.0401
80	o-ring	NBR	
90	hand-lever	Z410	
100	o-ring	NBR	
110	screw		DIN EN ISO 2.4017
120	washer		DIN EN ISO 7093
130	o-ring	NBR	
140	stop pin		DIN EN ISO 8740



Depending on the design, not all positions are used with every nominal diameter. In special types, several parts may be made of different materials. Flanged ball valves with turnable flanges are available in DN 15 up to DN 50.

If you have other demands, different from the here specified standard operational conditions, please feel free to request them separately.

In case of very low working pressure, use the low-pressure type with modified seals.

The operating and maintenance manual and in particular the safety instructions have to be followed. They can be downloaded from www.von-scheven.com, as well as certificates and approvals.

All dimensions in mm.
Technical changes reserved.