

Product-datasheet HSKI-D

Stainless steel-high-pressure-ball valve with female thread



von Scheven

Armaturenfabrik und Apparatebau

E	V04
	005
	state 08/06

Rudolf von Scheven GmbH
Wuppertaler Str. 10-12 45549 Sprockhövel
www.von-scheven.com

Tel. + 49 (0)23 24 / 97 42 - 0
Fax + 49 (0)23 24 / 97 42 - 10
eMail sales@von-scheven.com

+
ball valve
stainless steel

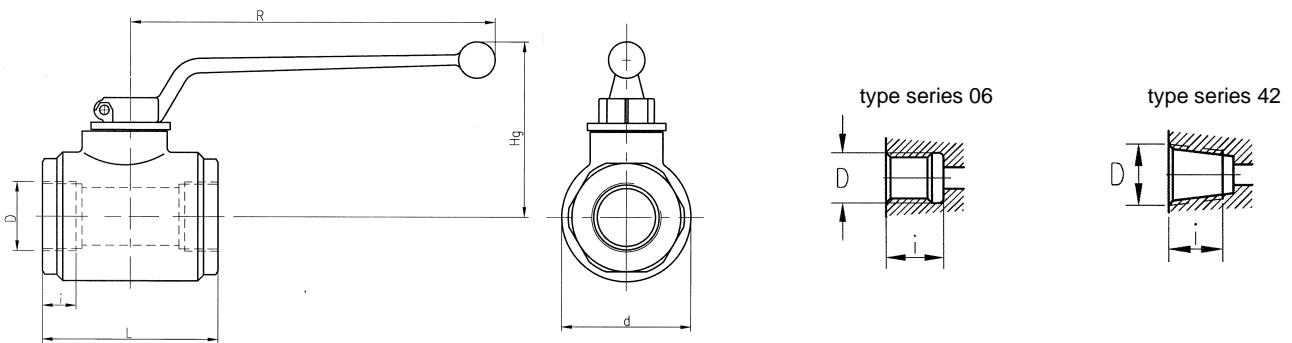
DN 32 -50
PN max. 315 bar

up to DN25 use Type
HBI-D!



face-to-face length
HSKI - DIN 3202 Serie M3

type series
06 – with female thread on both sides acc. to DIN ISO 228 / 1
42 - NPT- female thread acc. to ANSI / ASME B1.20.1



Technical data type series 06 (female pipe thread acc. To DIN ISO 228/1)

DN	PN	D	i	L	d	Hg	R	SW1	weight kg
32	315	G1 1/4	22	110	ø76	117	250	17	3,0
40	315	G1 1/2	23	120	ø90	121	250	17	3,6
50	315	G2	26	140	ø100	128	250	17	5,5

Technical data type series 42 (NPT female thread acc. to ANSI/ASME B 1.20.1)

DN	PN	D	i	L	d	Hg	R	SW1	weight kg
32	315	NPT1 1/4	22	110	ø76	117	250	17	3,0
40	315	NPT1 1/2	23	120	ø90	121	250	17	3,6
50	315	NPT 2	26	140	ø100	128	250	17	5,5

On demand, a light version (nominal pressure PN 160) with modified face-to-face length is available.

Ordering example: ball valve Type HSKI-D stainless steel, DN32 with female thread acc. to DIN ISO 228/1
⇒ HSKI-D 32 06

Product-datasheet HSKI-D

Stainless steel-high-pressure-ball valve with female thread



von Scheven

Armaturenfabrik und Apparatebau

E	V04
	005
	state 08/06

Rudolf von Scheven GmbH
Wuppertaler Str. 10-12 45549 Sprockhövel
www.von-scheven.com

Tel. + 49 (0)23 24 / 97 42 - 0
Fax + 49 (0)23 24 / 97 42 - 10
eMail sales@von-scheven.com

ball valve stainless steel

DN 32 - 50
PN max.315 bar

up to DN25 use Type
HBI-D!



Technical description

The ball valve type NSKI consists of a forged body with a screwed-in connector on one or both sides. A spindel seal acc. to TA-Luft is regularly used in DN32. The use of an actuator for DN 32 and above is possible with an extension set. This expandability is serial.

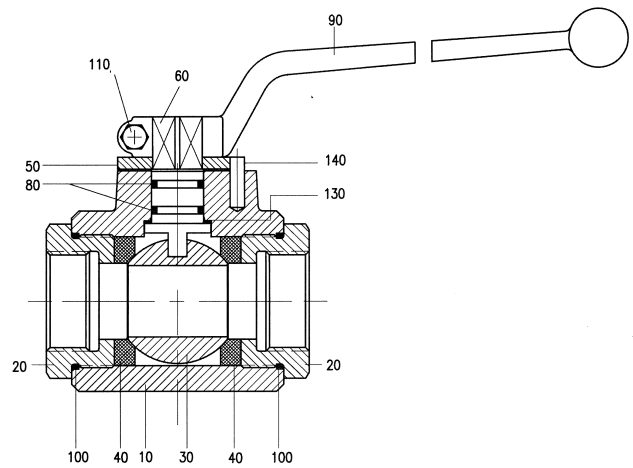
Application area

For non-aggressive fluids and gases. Furthermore, the resistiveness against the flow medium generally has to be given.

Allowed operating temperature: -20 °C up to +100 °C

Differing temperatures on request.

Bill of materials			
Pos.	name	material	Wnr./DIN
10	body	X6CrNiMoTi17-12-2	1.4571
20	thread	X6CrNiMoTi17-12-2 X2CrNiMo17-12-2	1.4571 1.4404
30	ball	X2CrNiMo17-12-2	1.4404
40	seal	POM	
50	stop washer	X5CrNi18-10	1.4301
60	spindel	X2CrNiMo17-12-2	1.4404
80	o-ring	FPM	
90	hand-lever	Z410	
100	o-ring	FPM	
110	screw		DIN EN ISO 2.4017
130	sliding ring	PTFE	
140	stop pin	1.4305	DIN EN ISO 8740



Depending on the design, not all positions are used with every nominal diameter. In special types, several parts may be made of different materials. Flanged ball valves with turnable flanges are available in DN 15 up to DN 50.

If you have other demands, different from the here specified standard operational conditions, please feel free to request them separately.

In case of very low working pressure, use the low-pressure type with modified seals.

The operating and maintenance manual and in particular the safety instructions have to be followed. They can be downloaded from www.von-scheven.com, as well as certificates and approvals.

All dimensions in mm.
Technical changes reserved.