

Product-Datasheet HSKI-C

High-Pressure-ball valve with female thread



von Scheven

Armaturenfabrik und Apparatebau

E	V04
	004
	state 07/10

Rudolf von Scheven GmbH
Wuppertaler Str. 10-12 45549 Sprockhövel
www.von-scheven.com

Tel. + 49 (0)23 24 / 97 42 - 0
Fax + 49 (0)23 24 / 97 42 - 10
eMail sales@von-scheven.com

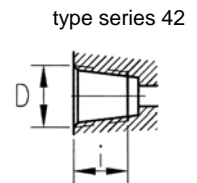
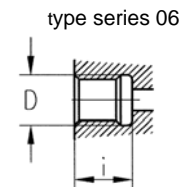
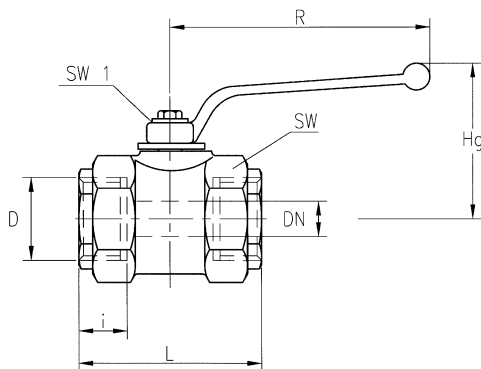
Ball valve steel

DN 6 - 80
PN max. 500 bar



Face-to-face length
HSKI-C - DIN 3202 series M3

Type series
06 - female thread on both sides acc. to DIN ISO 228 / 1
42 - NPT-female thread acc. to ANSI / ASME B1.20.1



Technical data type series 06 (female pipe thread acc. to DIN ISO 228/1)

DN	PN	D	i	L	SW	Hg	R	SW1	weight kg
6	500	G 1/4	12,5	60**)	32	49	76	7	0,4
10	500	G 3/8	12,5	60	32	77	112	10	0,4
15	500	G 1/2	16	75	ø40	67	130	10	0,9
20	315	G 3/4	18	80	46	71	130	10	0,9
25	315	G 1	20	90	55	82	160	10	1,4
32 *)	315	G 1 1/4	22	110	70	117	250	17	3,0
40 *)	315	G 1 1/2	23	130 **)	80	121	250	17	3,6
50 *)	315	G 2	26	140	100	128	250	17	5,5
65	160	G 2 1/2	31	185	ø133	158	250	17	11,8
80	63	G 3	35	205	ø152	182	350	22	15,6

Technical data type series 42 (NPT female thread acc. to ANSI/ASME B 1.20.1)

DN	PN	D	i	L	SW	Hg	R	SW1	weight kg
6	500	NPT 1/4	12,5	70	32	49	76	7	0,4
10	500	NPT 3/8	12,5	60	32	77	112	10	0,4
15	500	NPT 1/2	15	75	ø40	67	130	10	0,9
20	315	NPT 3/4	18	80	46	71	130	10	0,9
25	315	NPT 1	20	90	55	82	160	10	1,4
32	315	NPT 1 1/4	22	110	70	117	250	17	3,0
40	315	NPT 1 1/2	23	120	80	121	250	17	3,6
50	315	NPT 2	26	140	100	128	250	17	5,5

* On demand, a light version (nominal pressure PN 160) with modified face-to-face length is available.

** face-to-face length differs from M3; please request special face-to-face length, if demanded

Ordering example: ball valve type HSKI-C steel, DN20 with female thread acc. to DIN ISO 228/1
⇒ HSKI-C 20 06

Product-Datasheet HSKI-C

High-Pressure-ball valve with female thread



von Scheven

Armaturenfabrik und Apparatebau

E	V04
	004
	state 07/10

Rudolf von Scheven GmbH
Wuppertaler Str. 10-12 45549 Sprockhövel
www.von-scheven.com

Tel. + 49 (0)23 24 / 97 42 - 0
Fax + 49 (0)23 24 / 97 42 - 10
eMail sales@von-scheven.com

Ball valve steel

DN 6 - 80
PN max. 500 bar



Technical description

The ball valve type HSKI-C consists of a forged body with a screwed-in connector on one or both sides.

The spindle has an anti-blow-out design.

Up to DN25 the spindle is assembled from the outside with a screwing. Due to this screwing, the seal of the spindle can easily be changed. A spindle seal acc. to TA-Luft is regularly used in DN32 and above. Up to DN25, TA-Luft can be provided for an additional charge. The use of an actuator for DN 32 and above is possible with an extension set. This expandability is serial.

Application area:

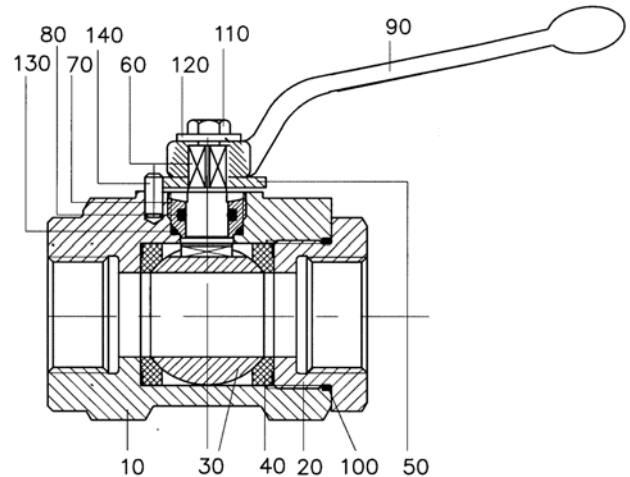
For non-aggressive fluids and gases. Furthermore, the resistiveness against the flow medium generally has to be given.

Allowed operating temperature: -20 °C up to +90 °C

Differing temperatures on request.

Bill of materials

Pos.	Benennung	Material	Wnr./DIN
10	body	P250GH	1.0460
20	connector	11SMn30 S355J2G3	1.0715 1.0570
30	ball	11SMn30 GJL-250	1.0715 ---
40	seal	POM	
50	stopp washer	Stahl	
60	spindle	11SMn30	1.0715
70	fitting	CuZn39Pb3	2.0401
80	o-ring	NBR	
90	hand-lever	Z410	
100	o-ring	NBR	
110	screw		DIN EN ISO 2.4017
120	washer		DIN EN ISO 7093
130	o-ring	NBR	
140	stop washer		DIN EN ISO 8740



Depending on the design, not all positions are used with every nominal diameter. In special types, several parts may be made of different materials.

In case of very low working pressure, use the low-pressure type with modified seals.

If you have other demands, different from the here specified standard operational conditions, please feel free to request them separately.

The operating and maintenance manual and in particular the safety instructions have to be followed. They can be downloaded from www.von-scheven.com, as well as certificates and approvals.

All dimensions in mm.
Technical changes reserved.