

Product-Datasheet NSKA-D

Stainless-steel-low-pressure-ball valve with male thread



von Scheven

Armaturenfabrik und Apparatebau

| | |
|---|----------------|
| E | V04 |
| | 003 |
| | Stand 01/09 |

Rudolf von Scheven GmbH
Wuppertaler Str. 10-12, 45549 Sprockhövel
www.von-scheven.com

Tel. + 49 (0)23 24 / 97 42 - 0
Fax + 49 (0)23 24 / 97 42 - 10
eMail sales@von-scheven.com

Ball valve stainless steel

DN 32 - 40
PN 40 bar

(up to DN 25 use Type
NBA-D!)



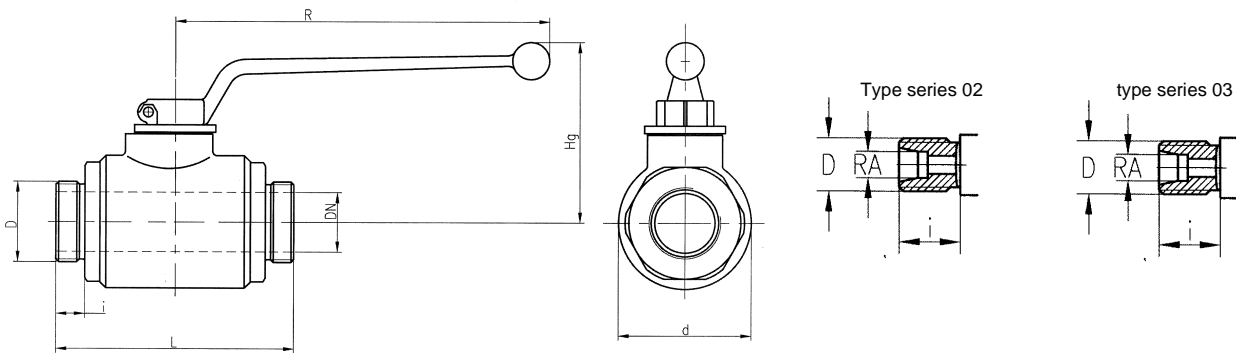
Face-to-face length NSKA - DIN 3202 serie V1

type series

- 02 - male thread on both sides for detachable tube fitting with cutting ring acc. to DIN 2353 – light series
- 03 - male thread on both sides for detachable tube fitting with cutting ring acc. to DIN 2353 – heavy series

approvals:

- TÜV-Bauteil-Kennzeichen
- DVGW for Gas
- TA-Luft



Technical data type series 02 (for detachable tube fitting with cutting ring acc. to DIN2353 light series)

| DN | RA | PN | D | i | L | d | Hg | R | SW1 | weight kg |
|----|----|----|--------|----|-----|-----|-----|-----|-----|--------------|
| 32 | 35 | 40 | M 45x2 | 16 | 145 | ø76 | 117 | 250 | 17 | 3,5 |
| 40 | 42 | 40 | M 52x2 | 16 | 150 | ø90 | 121 | 250 | 17 | 4,1 |

Note! The pressure range of the tube fitting may differ from the nominal pressure of the ball valve.

Technical data type series 03 (for detachable tube fitting with cutting ring acc. to DIN2353 heavy series)

| DN | RA | PN | D | i | L | d | Hg | R | SW1 | weight kg |
|----|----|----|--------|----|-----|-----|-----|-----|-----|--------------|
| 32 | 38 | 40 | M 52x2 | 22 | 145 | ø76 | 117 | 250 | 17 | 3,5 |

Note! The pressure range of the tube fitting may differ from the nominal pressure of the ball valve

Ordering example: ball valve Type NSKA-D stainless steel, DN32 with male thread for detachable tube fitting with cutting ring acc. to DIN 2353 – light series
⇒ NSKA-D 32 02

Product-Datasheet NSKA-D

Stainless-steel-low-pressure-ball valve with male thread



von Scheven

Armaturenfabrik und Apparatebau

| | |
|---|-------|
| E | V04 |
| | 003 |
| | Stand |
| | 01/09 |

Rudolf von Scheven GmbH
Wuppertaler Str. 10-12, 45549 Sprockhövel
www.von-scheven.com

Tel. + 49 (0)23 24 / 97 42 - 0
Fax + 49 (0)23 24 / 97 42 - 10
eMail sales@von-scheven.com

Ball valve Stainless steel

DN 32 - 40
PN 40 bar

(up to DN 25 use Type NBA-D!)



Technical description

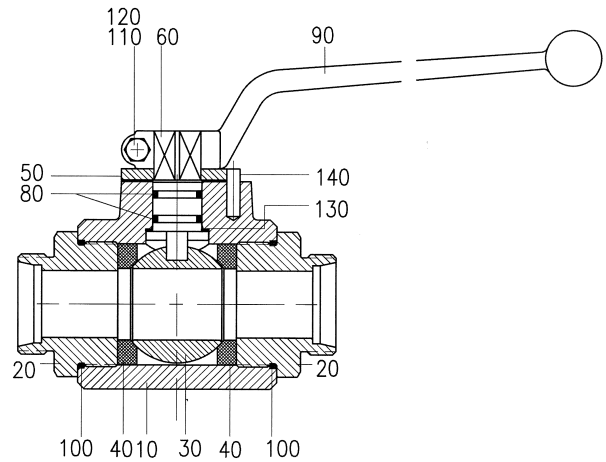
The ball valve type NSKA-D consists of a forged body with a screwed-in connector on one or both sides..
The spindle has an anti-blow-out design. A spindle seal acc. to TA-Luft is regularly used in DN32 and above.
The use of an actuator for DN 32 and above is possible with an extension set.

Application area

For non-aggressive fluids and gases. Furthermore, the resistiveness against the flow medium generally has to be given.

Allowed operating temperature: -20 °C up to +160 °C
Differing temperatures on request.

| Bill of materials | | | |
|-------------------|--------------|-------------------|-------------------|
| Pos. | Name | material | Wnr./DIN |
| 10 | Body | X6CrNiMoTi17-12-2 | 1.4571 |
| 20 | Connector | X6CrNiMoTi17-12-2 | 1.4571 |
| 30 | Ball | X6CrNiMoTi17-12-2 | 1.4404 |
| 40 | Seal | POM | |
| 50 | Stop washer | X5CrNi18-10 | 1.4301 |
| 60 | Spimndle | X2CrNiMo17-12-2 | 1.4404 |
| 80 | O-Ring | FPM | |
| 90 | Hand lever | Z410 | |
| 100 | O-Ring | FPM | |
| 110 | Screw | | DIN EN ISO 2.4017 |
| 120 | Washer | | DIN EN ISO 7093 |
| 130 | Sliding ring | PTFE | |
| 140 | Stopp pin | 1.4305 | DIN EN ISO 8740 |



Depending on the design, not all positions are used with every nominal diameter. In special types, several parts may be made of different materials.

If you have other demands, different from the here specified standard operational conditions, please feel free to request them separately.

The operating and maintenance manual and in particular the safety instructions have to be followed. They can be downloaded from www.von-scheven.com, as well as certificates and approvals.

All dimensions in mm.
Technical changes reserved.