

Product-datasheet NSKA-C

low-pressure-ball valve with male thread



von Scheven

Armaturenfabrik und Apparatebau

E	V04
	002
	state 01/11

Rudolf von Scheven GmbH
Wuppertaler Str. 10-12 45549 Sprockhövel
www.von-scheven.com

Tel. + 49 (0)23 24 / 97 42 - 0
Fax + 49 (0)23 24 / 97 42 - 10
eMail sales@von-scheven.com

ball valve steel

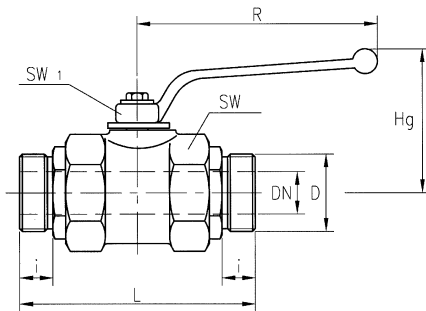
DN 6 - 40
PN max. 100 bar



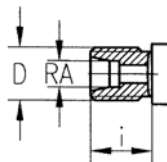
face-to-face length
NBA - DIN 3202 serie V1

- type serie**
- 02 - with male thread on both sides for detachable tube fitting with cutting ring acc. to DIN 2353 – light serie
 - 03 - with male thread on both sides for detachable tube fitting with cutting ring acc. to DIN 2353 – heavy serie
 - 05 - flat sealed male thread on both sides for pipe thread acc. to DIN ISO 228/1
 - 44 - flat sealed male thread on both sides acc. to NPT ANSI /ASME B 1.20.1

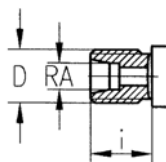
approvals:
DVGW for gas nominal diameter: DN08 up to DN40
nominal pressure: PN40
TÜV-type-test-approval mark
TA-Luft



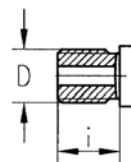
type series 02



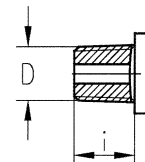
type series 03



type series 05



type series 44



Technical data type series 02 (for detachable pipe fitting with cutting ring acc. to DIN2353 light series)

DN	RA	PN	D	i	L	SW	Hg	R	SW1	weight kg
8	10	100	M 16x1,5	11	76	32	77	112	10	0,4
10	12	100	M 18x1,5	11	80	32	77	112	10	0,4
12	15	100	M 22x1,5	12	96	40	67	130	10	0,6
16	18	100	M 26x1,5	12	105	40	67	130	10	1,0
20	22	63	M 30x2	14	110	46	71	130	10	1,0
25	28	63	M 36x2	14	124**	55	82	160	10	1,6
32	35	25	M 45x2	16	145	70	117	250	17	3,5
40	42	25	M 52x2	16	150	80	121	250	17	4,1

Note! The pressure range of the tube fitting may differ from the nominal pressure of the ball valve.

** face-to-face length differs from V1; please request special face-to-face length, if demanded

Product-datasheet NSKA-C

low-pressure-ball valve with male thread



von Scheven

Armaturenfabrik und Apparatebau

E	V04
	002
	state 01/11

Rudolf von Scheven GmbH
Wuppertaler Str. 10-12 45549 Sprockhövel
www.von-scheven.com

Tel. + 49 (0)23 24 / 97 42 - 0
Fax + 49 (0)23 24 / 97 42 - 10
eMail sales@von-scheven.com

Technical data type series 03 (detachable tube fitting with cutting ring acc. to DIN2353 heavy series)										
DN	RA	PN	D	i	L	SW	Hg	R	SW1	weight kg
8	12	100	M 20x1,5	12	76	32	77	112	10	0,4
10	14	100	M 22x1,5	14	80	32	77	112	10	0,4
12	16	100	M 24x1,5	14	96	40	67	130	10	0,6
16	20	100	M 30x2	16	105	40	67	130	10	1,0
20	25	63	M 36x2	18	110	46	71	130	10	1,0
25	30	63	M 42x2	20	132**	55	82	160	10	1,6
32	38	25	M 52x2	22	145	70	117	250	17	3,5

Note! The pressure range of the tube fitting may differ from the nominal pressure of the ball valve.

** face-to-face length differs from V1; please request special face-to-face length, if demanded

Technical data type series 05 (flat seal pipe fitting acc. to DIN ISO 228/1)										
DN	PN	D	i	L	SW	Hg	R	SW1	weight kg	
8	100	G3/8 A	12	76	32	77	112	10	0,4	
10	100	G1/2 A	12	80	32	77	112	10	0,4	
16	100	G3/4 A	14	105	40	67	130	10	1,0	
20	63	G1 A	16	110	46	71	130	10	1,0	
25	63	G1 1/4 A	18	120	55	82	160	10	1,6	

Technical data type series 44 (flat seal NPT- male acc. to ANSI/ASME B 1.20.1)										
DN	PN	D	i	L	SW	Hg	R	SW1	weight kg	
6	100	NPT 1/4	14,5	84	32	77	112	10	0,4	
8	100	NPT 3/8	14,5	93	32	77	112	10	0,4	
10	100	NPT 1/2	19	107	40	67	130	10	0,6	
16	100	NPT 3/4	19	113	40	67	130	10	1,0	
20	63	NPT 1	24	125	46	71	130	10	1,0	
25	63	NPT 1 1/4	24,5	141	55	82	160	10	1,6	

Ordering example: ball valve Type NSKA-C steel, DN12 male thread for detachable tube fitting with cutting ring acc. to DIN 2353 – light series
⇒ NSKA-C 12 02

Product-datasheet NSKA-C

low-pressure-ball valve with male thread



von Scheven

Armaturenfabrik und Apparatebau

E	V04
	002
	state 01/11

Rudolf von Scheven GmbH
Wuppertaler Str. 10-12 45549 Sprockhövel
www.von-scheven.com

Tel. + 49 (0)23 24 / 97 42 - 0
Fax + 49 (0)23 24 / 97 42 - 10
eMail sales@von-scheven.com

ball valve steel

DN 6 - 40
PN max. 100 bar



Technical description

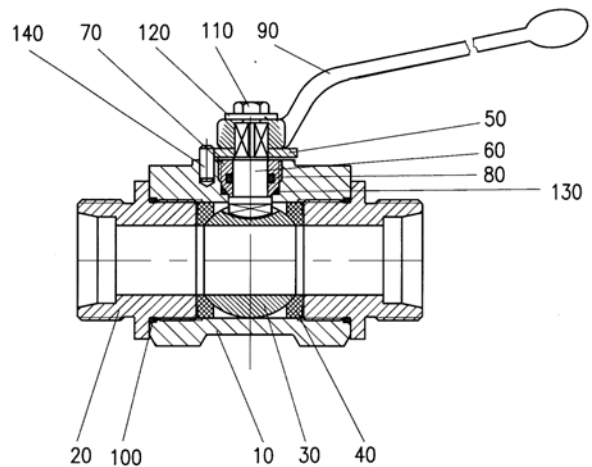
The ball valve type NSKA-C consists of a forged body with a screwed-in connector on one or both sides. The spindle has an anti-blow-out design. Up to DN25 the spindle is assembled from the outside with a screwing. Due to this screwing, the seal of the spindle can easily be changed. A spindle seal acc. to TA-Luft is regularly used in DN32 and above. Up to DN25, TA-Luft can be provided for an additional charge. The use of an actuator for DN 32 and above is possible with an extension set. This expandability is serial.

Application area

For non-aggressive fluids and gases. Furthermore, the resistiveness against the flow medium generally has to be given.

Allowed operating temperature: -20 °C up to +90 °C
Differing temperatures on request.

Bill of materials			
Pos.	name	material	Wnr./DIN
10	body	11SMn30	1.0715
20	thread	11SMn30	1.0715
30	ball	CuZn39Pb3	2.0401
40	seal	PTFE	
50	stop washer	Stahl	
60	spindle	CuZn39Pb3	2.0401
70	fittings	11SMn30	1.0715
80	o-ring	NBR	
90	hand-lever	Z410	
100	o-ring	NBR	
110	screw		DIN EN ISO 2.4017
120	washer		DIN EN ISO 7093
130	o-ring	NBR	
140	stop pin		DIN EN ISO 8740



Depending on the design, not all positions are used with every nominal diameter. In special types, several parts may be made of different materials. Flanged ball valves with turnable flanges are available in DN 15 up to DN 50.

If you have other demands, different from the here specified standard operational conditions, please feel free to request them separately.

The operating and maintenance manual and in particular the safety instructions have to be followed. They can be downloaded from www.von-scheven.com, as well as certificates and approvals.

All dimensions in mm.
Technical changes reserved.