

# Product-Datasheet NSKI-C

Low-pressure-ball valve with female thread



**von Scheven**

Armaturenfabrik und Apparatebau

E	V04
	000
	state 03/09

Rudolf von Scheven GmbH  
Wuppertaler Str. 10-12 45549 Sprockhövel  
www.von-scheven.com

Tel. + 49 (0)23 24 / 97 42 - 0  
Fax + 49 (0)23 24 / 97 42 - 10  
eMail sales@von-scheven.com

## ball valve steel

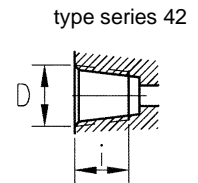
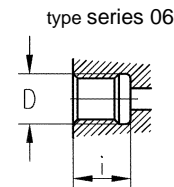
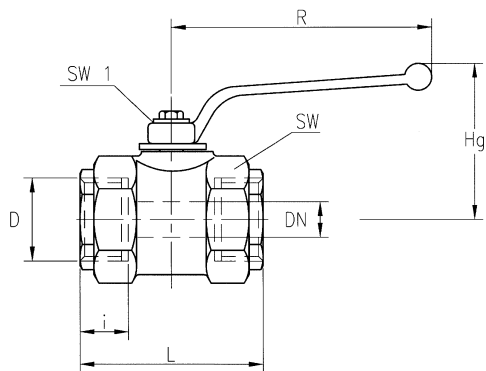
DN 6 - 80  
PN max. 100 bar



**face-to-face length**  
NSKI - DIN 3202 serie M3

**type series**  
06 -female thread on both sides acc. to DIN ISO 228 / 1  
42 - NPT-male thread acc. to ANSI / ASME B1.20.1

**approvals**  
only type series 06: DVGW for gas  
nominal diameter: DN06 up to DN50  
nominal pressure: PN16



### Technical data type series 06 (female pipe thread acc. to DIN ISO 228/1)

DN	PN	D	i	L	SW	Hg	R	SW1	weight (kg)
6	100	G1/4	12,5	70**)	32	49	76	7	0,4
10	100	G3/8	12,5	60	32	77	112	10	0,4
15	100	G1/2	16	75	40	67	130	10	0,9
20	63	G3/4	18	80	46	71	130	10	0,9
25	63	G1	20	90	55	82	160	10	1,4
32	25	G1 1/4	22	110	70	117	250	17	3,0
40	25	G1 1/2	23	120	80	121	250	17	3,6
50	25	G2	26	140	100	128	250	17	5,5
65	16	G2 1/2	31	185	133	158	250	17	11,8
80	16	G3	35	205	152	182	350	22	15,6

### Technical data type series 42 (NPT female thread acc. to ANSI/ASME B 1.20.1)

DN	PN	D	i	L	SW	Hg	R	SW1	weight (kg)
6	100	NPT 1/4	12,5	70	32	49	76	7	0,4
10	100	NPT 3/8	12,5	60	32	77	112	10	0,4
15	100	NPT 1/2	15	75	40	67	130	10	0,9
20	63	NPT 3/4	18	80	46	71	130	10	0,9
25	63	NPT 1	20	90	55	82	160	10	1,4
32 *)	25	NPT1 1/4	22	110	70	117	250	17	3,0
40 *)	25	NPT1 1/2	23	120	80	121	250	17	3,6
50 *)	25	NPT 2	26	140	100	128	250	17	5,5

\* reduced bore 24mm

\*\* face-to-face length differs from M3; please request special face-to-face length, if demanded

Ordering example: ball valve Type NSKI-C , steel, DN20 with female thread acc. to DIN ISO 228/1  
⇒ NSKI-C 20 06

# Product-Datasheet NSKI-C

Low-pressure-ball valve with female thread



**von Scheven**

Armaturenfabrik und Apparatebau

E	V04
	000
	state 03/09

**Rudolf von Scheven GmbH**  
Wuppertaler Str. 10-12 45549 Sprockhövel  
www.von-scheven.com

**Tel.** + 49 (0)23 24 / 97 42 - 0  
**Fax** + 49 (0)23 24 / 97 42 - 10  
**eMail** sales@von-scheven.com

## ball valve steel

DN 6 - 80  
PN max. 100 bar



### Technical description

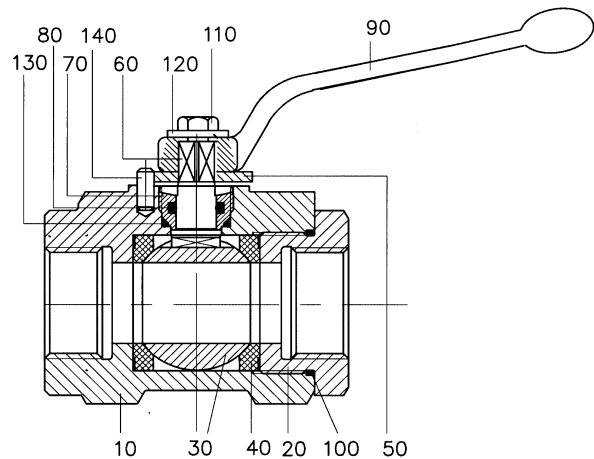
The ball valve type NSKI-C consists of a forged body with a screwed-in connector on one or both sides. The spindle has an anti-blow-out design. Up to DN25 the spindle is assembled from the outside with a screwing. Due to this screwing, the seal of the spindle can easily be changed. A spindle seal acc. to TA-Luft is regularly used in DN32 and above. Up to DN25, TA-Luft can be provided for an additional charge. The use of an actuator for DN 32 and above is possible with an extension set. This expandability is serial.

### Application area

For non-aggressive fluids and gases. Furthermore, the resistiveness against the flow medium generally has to be given.

**Allowed operating temperature:** -20 °C up to +90 °C  
Differing temperatures on request.

Bill of materials			
Pos.	Name	Material	Wnr./DIN
10	body	P250GH	1.0460
20	connector	11SMn30 S355J2G3	1.0715 1.0570
30	ball	CuZn39Pb3 11SMn30	2.0401 1.0715
40	seal	PTFE	
50	stop washer	steell	
60	spindle	CuZn39Pb3 11SMn30	2.0401 1.0715
70	fitting	CuZn39Pb3	2.0401
80	o-ring	NBR	
90	hand-lever	Z410	
100	o-ring	NBR	
110	screw		DIN EN ISO 2.4017
120	washer		DIN EN ISO 7093
130	o-ring	NBR	
140	stopp pin		DIN EN ISO 8740



Depending on the design, not all positions are used with every nominal diameter. In special types, several parts may be made of different materials.

If you have other demands, different from the here specified standard operational conditions, please feel free to request them separately.

The operating and maintenance manual and in particular the safety instructions have to be followed. They can be downloaded from [www.von-scheven.com](http://www.von-scheven.com), as well as certificates and approvals.

All dimensions in mm.  
Technical changes reserved.