

# Product-Datasheet HBA-D

## Stainless steel-high-pressure-block-ball valve with male thread



**von Scheven**

Armaturenfabrik und Apparatebau

E	V00
	007
	state 01/11

**Rudolf von Scheven GmbH**  
Wuppertaler Str. 10-12 45549 Sprockhövel  
www.von-scheven.com

**Tel.** + 49 (0)23 24 / 97 42 - 0  
**Fax** + 49 (0)23 24 / 97 42 - 10  
**eMail** sales@von-scheven.com

### Block-ball valve stainless steel

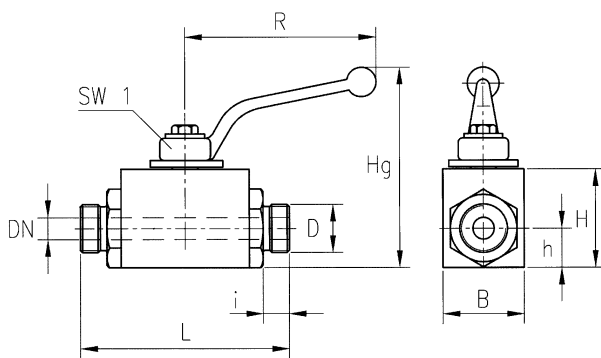
DN 4 - 25  
PN 64 - 500 bar



### Face-to-face length HBA - DIN 3202 series V1

#### Type series

- 02 - male thread on both sides for detachable tube fitting with cutting ring acc. to DIN 2353 – light series
- 03 - male thread on both sides for detachable tube fitting with cutting ring acc. to DIN 2353 – heavy series
- 05 - male thread on both sides: flat sealing pipe thread acc. to DIN ISO 228/1
- 44 - male thread on both sides flat sealing acc. to NPT ANSI /ASME B 1.20.1

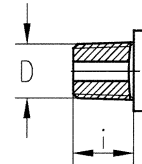
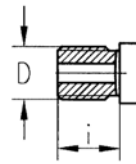
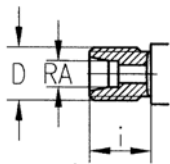
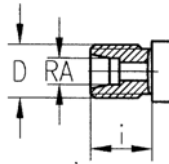


type series 02

type series 03

type series 05

type series 44



### Technical data type series 02 (detachable tube fitting with cutting ring acc. to DIN2353 light series)

DN	RA	PN	D	i	L	B	H	h	Hg	R	SW1	weight (kg)
4	6	500	M 12x1,5	10	76	40	40	16	61	67	7	0,3
6	8	500	M 14x1,5	10	76	40	40	16	71	67	7	0,3
8	10	500	M 16x1,5	11	76	40	40	16	92	112	10	0,5
10	12	500	M 18x1,5	11	80	40	40	16	92	112	10	0,5
12	15	500	M 22x1,5	12	96	40	40	22	85	130	10	0,8
16	18	400	M 26x1,5	12	105	50	50	22	90	130	10	1,0
20	22	315	M 30x2	14	110	55	55	25	95	130	10	1,3
25	28	315	M 36x2		124 **	65	65	30	113	160	10	2,3
32 *	35	315	M 45x2	16	124 **	55	65	30	113	160	10	2,5
40 *	42	315	M 52x2	16	124 **	55	65	30	113	160	10	2,7

\* reduced

\*\* face-to-face length differs from V1; please request special face-to-face length, if demanded.

Note! The pressure range of the tube fitting may differ from the nominal pressure of the ball valve.

# Product-Datasheet HBA-D

**Stainless steel-high-pressure-block-ball valve  
with male thread**



**von Scheven**

Armaturenfabrik und Apparatebau

E	V00
	007
	state 01/11

**Rudolf von Scheven GmbH**  
Wuppertaler Str. 10-12 45549 Sprockhövel  
www.von-scheven.com

**Tel.** + 49 (0)23 24 / 97 42 - 0  
**Fax** + 49 (0)23 24 / 97 42 - 10  
**eMail** sales@von-scheven.com

## Technical data type series 03 (detachable tube fitting with cutting ring acc. to DIN2353 heavy series)

DN	RA	PN	D	i	L	B	H	h	Hg	R	SW1	weight (kg)
4	8	500	M 16x1,5	12	76	40	40	16	61	76	7	0,3
6	10	500	M 18x1,5	12	76	40	40	16	71	76	7	0,3
8	12	500	M 20x1,5	12	76	40	40	16	92	112	10	0,5
10	14	500	M 22x1,5	14	80	40	40	16	92	112	10	0,5
12	16	500	M 24x1,5	14	100	40	40	22	85	130	10	0,8
16	20	400	M 30x2	16	105	50	50	22	90	130	10	1,0
20	25	315	M 36x2	18	110	55	55	25	95	130	10	1,3
25	30	315	M 42x2	20	132**	65	65	30	113	160	10	2,3
32 *	38	315	M 52x2	22	138 **	55	65	30	113	160	10	3,5

\* reduced bore

\*\* face-to-face length differs from V1; please request special face-to-face length, if demanded.

Note! The pressure range of the tube fitting may differ from the nominal pressure of the ball valve.

## Technical data type series 05 (flat sealing male pipe thread acc. to DIN ISO 228/1)

DN	PN	D	i	L	B	H	h	Hg	R	SW1	weight (kg)
4	500	G1/8 A	10	76	40	40	16	61	76	7	0,3
6	500	G1/4 A	11	76	40	40	16	71	76	7	0,3
8	500	G3/8 A	12	76	40	40	16	92	112	10	0,5
10	500	G1/2 A	12	80	40	40	16	92	112	10	0,5
15	400	G3/4 A	14	105	50	50	22	90	130	10	1,0
20	315	G1 A	16	110	55	55	25	95	130	10	1,3
25	315	G1 1/4 A	18	120	65	65	30	113	160	10	2,3

## Technical data type series 44 (flat sealing NPT- male thread acc. to ANSI/ASME B 1.20.1)

DN	PN	D	i	L	B	H	h	Hg	R	SW1	weight (kg)
4	500	NPT 1/8	9,5	69	40	40	16	61	76	7	0,3
6	500	NPT 1/4	14,5	79	40	40	16	71	76	7	0,3
8	500	NPT 3/8	14,5	84	40	40	16	92	112	10	0,5
10	500	NPT 1/2	19	93	40	40	16	92	112	10	0,5
16	400	NPT 3/4	19	113	50	50	22	90	130	10	1,0
20	315	NPT 1	24	125	55	55	25	95	130	10	1,3
25	315	NPT 1 1/4	24,5	141	65	65	30	113	160	10	2,3

Ordering example: ball valve type HBA-D DN12, stainless steel, male thread for detachable pipe fitting with cutting ring acc. to DIN 2353 – light series (type series 02)  
⇒ HBA-D 12 02

# Product-Datasheet HBA-D

## Stainless steel-high-pressure-block-ball valve with male thread



**von Scheven**

Armaturenfabrik und Apparatebau

E	V00
	007
	state 01/11

**Rudolf von Scheven GmbH**  
Wuppertaler Str. 10-12 45549 Sprockhövel  
www.von-scheven.com

**Tel.** + 49 (0)23 24 / 97 42 - 0  
**Fax** + 49 (0)23 24 / 97 42 - 10  
**eMail** sales@von-scheven.com

### Block-ball valve stainless steel

DN 4 – 25  
PN 64 - 500 bar



#### Technical description

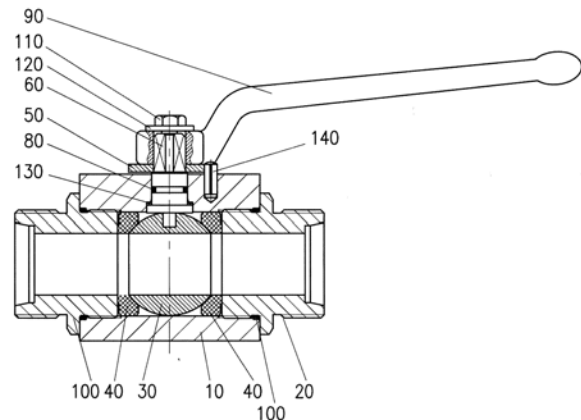
The ball valve type HBA-D consists of a block body with a screwed-in connector on both sides. The spindle has an anti-blow-out design. The use of an actuator is possible with an extension set. This possibility is to be announced with your order (additional charge).

#### Application area

For non-aggressive fluids and gases. Furthermore, the resistiveness against the flow medium generally has to be given

**Allowed operating temperature:** -20 °C up to +100 °C  
Differing temperatures on request.

Bill of materials			
Pos.	name	material	Wnr./DIN
10	body	X6CrNiMoTi17-12-2	1.4571
20	thread	X6CrNiMoTi17-12-2	1.4571
30	ball	X2CrNiMo17-12-2	1.4404
40	seal	POM	
50	stop washer	X5CrNi18-10	1.4301
60	spindel	X5CrNiMo17-12-2	1.4401
80	o-ring	FPM	
90	hand-lever	Z410	
100	o-ring	FPM	
110	screw	stainless steel	DIN EN ISO 24017
120	washer	stainless steel	DIN EN ISO 7093
130	sliding ring	FPM	
140	stop pin	1.4305	DIN EN ISO 8740



Depending on the design, not all positions are used with every nominal diameter. In special types, several parts may be made of different materials. Flanged ball valves with turnable flanges are available in DN 15 up to DN 50.

If you have other demands, different from the here specified standard operational conditions, please feel free to request them separately.

In case of very low working pressure, use the low-pressure type with modified seals.

The operating and maintenance manual and in particular the safety instructions have to be followed. They can be downloaded from [www.von-scheven.com](http://www.von-scheven.com), as well as certificates and approvals.

All dimensions in mm.

Technical changes reserved.