

Product-datasheet NBA-D

Stainless steel-low-pressure-block-ball valve with male thread



von Scheven

Armaturenfabrik und Apparatebau

E	V00
	003
	state 01/11

Rudolf von Scheven GmbH
Wuppertaler Str. 10-12 45549 Sprockhövel
www.von-scheven.com

Tel. + 49 (0)23 24 / 97 42 - 0
Fax + 49 (0)23 24 / 97 42 - 10
eMail sales@von-scheven.com

Stainless steel-block-ball valve steel

DN 4 - 40
PN max. 100 bar



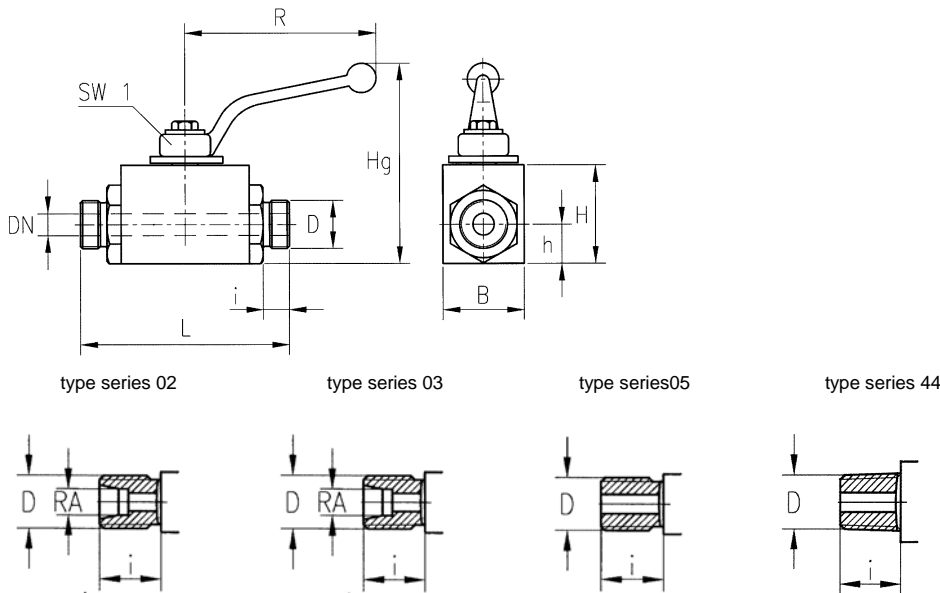
face-to-face length
NBA - DIN 3202 serie V1

type series

- 01 - male thread on both sides for detachable tube fitting with ball-type nipple acc. to DIN 7601
- 02 - male thread on both sides for detachable tube fitting with cutting ring acc. to DIN 2353 – light series
- 03 - male thread on both sides for detachable tube fitting with cutting ring acc. to DIN 2353 – heavy series
- 05 - male thread on both sides; flat sealing pipe thread acc. to DIN ISO 228/1
- 44 - male thread on both sides flat sealing acc. to NPT ANSI /ASME B 1.20.1

approvals:

DVGW for gas nominal diameter: DN04 up to DN25 nominal pressure: PN40
TÜV-type-test-approval mark



Technical data type series 02 (detachable tube fitting with cutting ring acc. to DIN2353 light series)

DN	RA	PN	D	i	L	B	H	h	Hg	R	SW1	weight (kg)
4	6	100	M 12x1,5	10	76	40	40	16	61	67	7	0,3
6	8	100	M 14x1,5	10	76	40	40	16	71	67	7	0,3
8	10	100	M 16x1,5	11	76	40	40	16	92	112	10	0,5
10	12	100	M 18x1,5	11	80	40	40	16	92	112	10	0,5
12	15	100	M 22x1,5	12	96	40	40	22	85	130	10	0,8
16	18	100	M 26x1,5	12	105	50	50	22	90	130	10	1,0
20	22	63	M 30x2	14	110	55	55	25	95	130	10	1,3
25	28	63	M 36x2	14	124 **	65	65	30	113	160	10	2,3
32 *	35	25	M 45x2	16	124 **	65	65	30	113	160	10	2,5
40 *	42	25	M 52x2	16	124 **	65	65	30	113	160	10	2,7

* reduced bore

** face-to-face length differs from V1; please request special face-to-face length, if demanded

Note! The pressure range of the tube fitting may differ from the nominal pressure of the ball valve.

Product-datasheet NBA-D

Stainless steel-low-pressure-block-ball valve with male thread



von Scheven

Armaturenfabrik und Apparatebau

E	V00
	003
	state 01/11

Rudolf von Scheven GmbH
Wuppertaler Str. 10-12 45549 Sprockhövel
www.von-scheven.com

Tel. + 49 (0)23 24 / 97 42 - 0
Fax + 49 (0)23 24 / 97 42 - 10
eMail sales@von-scheven.com

Technical data type series (detachable tube fitting with cutting ring acc. to DIN2353 heavy series)												
DN	RA	PN	D	i	L	B	H	h	Hg	R	SW1	weight (kg)
4	8	100	M 16x1,5	12	76	40	40	16	61	76	7	0,3
6	10	100	M 18x1,5	12	76	40	40	16	71	76	7	0,3
8	12	100	M 20x1,5	12	76	40	40	16	92	112	10	0,5
10	14	100	M 22x1,5	14	80	40	40	16	92	112	10	0,5
12	16	100	M 24x1,5	14	96	40	40	22	85	130	10	0,8
16	20	100	M 30x2	16	105	50	50	22	90	130	10	1,0
20	25	63	M 36x2	18	110	55	55	25	95	130	10	1,3
25	30	63	M 42x2	20	132 **	65	65	30	113	160	10	2,3
32 *	38	25	M 52x2	22	138 **	55	65	30	113	160	10	2,5

* reduced bore

** face-face length differs from V1; please request special face-to-face length, if demanded.

Note! The pressure range of the tube fitting may differ from the nominal pressure of the ball valve.

Technical data type series 05 (flat sealing tube male thread acc. to DIN ISO 228/1)												
DN	PN	D	i	L	B	H	h	Hg	R	SW1	weight (kg)	
4	100	G1/8 A	10	76	40	40	16	61	76	7	0,3	
6	100	G1/4 A	11	76	40	40	16	71	76	7	0,3	
8	100	G3/8 A	12	76	40	40	16	92	112	10	0,5	
10	100	G1/2 A	12	80	40	40	16	92	112	10	0,5	
15	100	G3/4 A	14	105	50	50	22	90	130	10	1,0	
20	63	G1A	16	110	55	55	25	95	130	10	1,3	
25	63	G1 ¼ A	18	120	65	65	30	113	160	10	2,3	

Technical data type series 44 (flat sealing NPT- male thread acc. to ANSI/ASME B 1.20.1)												
DN	PN	D	i	L	B	H	h	Hg	R	SW1	weight (kg)	
4	100	NPT 1/8	9,5	69	40	40	16	61	76	7	0,3	
6	100	NPT 1/4	14,5	79	40	40	16	71	76	7	0,3	
8	100	NPT 3/8	14,5	84	40	40	16	92	112	10	0,5	
10	100	NPT 1/2	19	93	40	40	16	92	112	10	0,5	
16	100	NPT 3/4	19	113	50	50	22	90	130	10	1,0	
20	63	NPT 1	24	125	55	55	25	95	130	10	1,3	
25	63	NPT 1 1/4	24,5	141	65	65	30	113	160	10	2,3	

order example:

ball valve type NBA-D DN12 stainless steel with male threads for detachable tube threads with cutting ring acc. to DIN 2353

- light series (type series 02) ⇒ NBA-D 12 02

Product-datasheet NBA-D

Stainless steel-low-pressure-block-ball valve with male thread



von Scheven

Armaturenfabrik und Apparatebau

E	V00
	003
	state 01/11

Rudolf von Scheven GmbH
Wuppertaler Str. 10-12 45549 Sprockhövel
www.von-scheven.com

Tel. + 49 (0)23 24 / 97 42 - 0
Fax + 49 (0)23 24 / 97 42 - 10
eMail sales@von-scheven.com

Stainless steel-block-ball valve steel

DN 4 - 25
PN max. 100 bar



Technical description

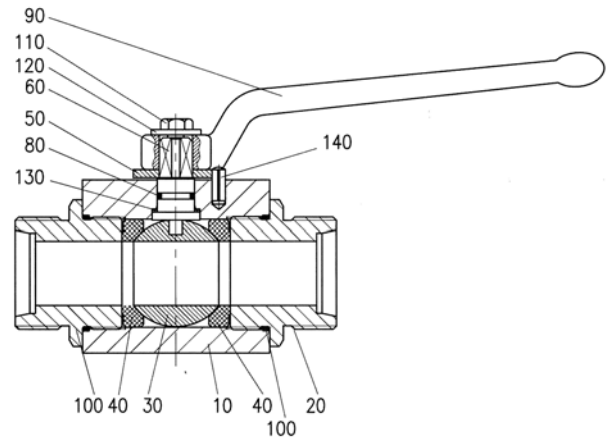
The ball valve type NBI-C consists of a block body with a screwed-in connector on both sides. The spindle has an anti-blow-out design. The use of an actuator is possible with an extension set. This possibility is to be announced with your order (additional charge).

Verwendungsbereich

For non-aggressive fluids and gases. Furthermore, the resistiveness against the flow medium generally has to be given.

Allowed operating temperature: -20 °C up to +160 °C
Differing temperatures on request.

Bill of materials			
Pos.	name	material	Wnr./DIN
10	body	X6CrNiMoTi17-12-2	1.4571
20	thread	X6CrNiMoTi17-12-2	1.4571
30	ball	X2CrNiMo17-12-2	1.4404
40	seal	PTFE	
50	stop washer	X5CrNi18-10	1.4301
60	spindel	X5CrNi18-10	1.4301
80	o-ring	NBR	
90	hand-lever	Z410	
100	o-ring	NBR	
110	screw	stainless steel	DIN EN ISO 2.4017
120	washer	stainless steel	DIN EN ISO 7093
130	sliding ring	PTFE	
140	stop pin	1.4305	DIN EN ISO 8740



Depending on the design, not all positions are used with every nominal diameter. In special types, several parts may be made of different materials.

If you have other demands, different from the here specified standard operational conditions, please feel free to request them separately.

The operating and maintenance manual and in particular the safety instructions have to be followed. They can be downloaded from www.von-scheven.com, as well as certificates and approvals.

All dimensions in mm.