

Product-Datasheet NBA-C

Low-pressure-block-ball valve with male thread



von Scheven

Armaturenfabrik und Apparatebau

E	V00
	002
	state 01/11

Rudolf von Scheven GmbH
Wuppertaler Str. 10-12 45549 Sprockhövel
www.von-scheven.com

Tel. + 49 (0)23 24 / 97 42 - 0
Fax + 49 (0)23 24 / 97 42 - 10
eMail sales@von-scheven.com

Block-ball valve steel

DN 4 - 40
PN max. 100 bar



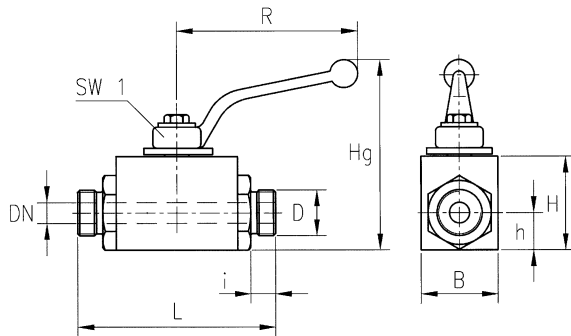
face-to-face length
NBA – DIN 3202 serie V1

type series

- 02 - male thread on both sides for detachable tube fitting with cutting ring acc. to DIN 2353 – light series
- 03 - male thread on both sides for detachable tube fitting with cutting ring acc. to DIN 2353 – heavy series
- 05 - male thread on both sides; flat sealing pipe thread acc. to DIN ISO 228/1
- 44 - male thread on both sides; flat sealing acc. to NPT ANSI /ASME B 1.20.1

approvals:

DVGW for gas nominal diameter: DN04 up to DN25 nominal pressure: PN40 (only for type series 02 and 03)
TÜV-type-test-approval mark

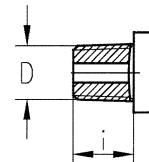
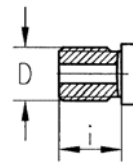
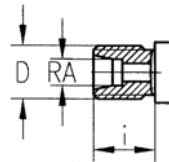
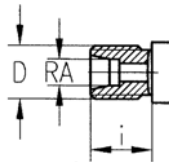


type series 02

type series 03

type series 05

type series 44



Technical data type series 02 (detachable tube fitting with cutting ring acc. to DIN2353 light series)

DN	RA	PN	D	i	L	B	H	h	Hg	R	SW1	weight (kg)
4	6	100	M 12x1,5	10	76	25	30	12,5	61	67	7	0,3
6	8	100	M 14x1,5	10	76	25	30	12,5	61	67	7	0,3
8	10	100	M 16x1,5	11	76	30	40	15	92	112	10	0,5
10	12	100	M 18x1,5	11	80	30	40	15	92	112	10	0,5
12	15	100	M 22x1,5	12	96	35	45	18	85	130	10	0,8
16	18	100	M 26x1,5	12	105	40	50	21	90	130	10	1,0
20	22	63	M 30x2	14	110	45	55	25	95	130	10	1,3
25	28	63	M 36x2	14	124 **	55	65	31	113	160	10	2,3
32 *	35	63	M 45x2	16	124 **	55	65	30	113	160	10	2,5
40 *	42	63	M 52x2	16	124 **	55	65	30	113	160	10	2,7

* reduced bore

** face-to-face length differs from V1; please request special face-to-face length, if demanded

Note! The pressure range of the tube fitting may differ from the nominal pressure of the ball valve.

Product-Datasheet NBA-C

Low-pressure-block-ball valve with male thread



von Scheven

Armaturenfabrik und Apparatebau

E	V00
	002
	state 01/11

Rudolf von Scheven GmbH
Wuppertaler Str. 10-12 45549 Sprockhövel
www.von-scheven.com

Tel. + 49 (0)23 24 / 97 42 - 0
Fax + 49 (0)23 24 / 97 42 - 10
eMail sales@von-scheven.com

Technical data type series 03 (detachable tube fitting with cutting ring acc. to DIN2353 heavy series)

DN	RA	PN	D	i	L	B	H	h	Hg	R	SW1	weight (kg)
4	8	100	M 16x1,5	12	76	25	30	12,5	61	76	7	0,3
6	10	100	M 18x1,5	12	76	25	30	12,5	61	76	7	0,3
8	12	100	M 20x1,5	12	76	30	40	15	92	112	10	0,5
10	14	100	M 22x1,5	14	80	30	40	15	92	112	10	0,5
12	16	100	M 24x1,5	14	96	35	45	18	85	130	10	0,8
16	20	100	M 30x2	16	105	40	50	21	40	130	10	1,0
20	25	63	M 36x2	18	110	45	55	25	95	130	10	1,3
25	30	63	M 42x2	20	132 **	55	65	31	113	160	10	2,3
32 *	38	63	M 52x2	22	138 **	55	65	30	113	160	10	2,5

* reduced bore

** face-to-face length differs from V1; please request special face-to-face length V1, if demanded.

Note! The pressure range of the tube fitting may differ from the nominal pressure of the ball valve.

Technical data type series 05 (flat sealing pipe male thread acc. to ISO 228/1)

DN	PN	D	i	L	B	H	h	Hg	R	SW1	weight (kg)
4	100	G1/8 A	10	76	25	30	12,5	61	76	7	0,3
6	100	G1/4 A	11	76	25	30	12,5	61	76	7	0,3
8	100	G3/8 A	12	76	30	40	15	92	112	10	0,5
10	100	G1/2 A	12	80	30	40	15	92	112	10	0,5
15	100	G3/4 A	14	105	40	50	21	40	130	10	1,0
20	63	G1 A	16	110	45	55	25	95	130	10	1,3
25	63	G1 1/4 A	18	120	55	65	31	113	160	10	2,3

Technical data type series 44 (flat sealing NPT- male thread acc. to ANSI/ASME B 1.20.1)

DN	PN	D	i	L	B	H	h	Hg	R	SW1	weight (kg)
4	100	NPT 1/8	9,5	69	25	30	12,5	61	76	7	0,3
6	100	NPT 1/4	14,5	79	25	30	12,4	61	76	7	0,3
8	100	NPT 3/8	14,5	84	30	40	15	92	112	10	0,5
10	100	NPT 1/2	19	93	30	40	15	92	112	10	0,5
16	100	NPT 3/4	19	113	40	50	21	90	130	10	1,0
20	63	NPT 1	24	125	45	55	25	95	130	10	1,3
25	63	NPT 1 1/4	24,5	141	55	65	31	113	160	10	2,3

Ordering example: ball valve Type NBA-C DN12 steel with male thread for detachable tube fitting with cutting ring acc. to DIN 2353 – light series (type series 02) ⇒ NBA-C 12 02

Product-Datasheet NBA-C

Low-pressure-block-ball valve with male thread



von Scheven

Armaturenfabrik und Apparatebau

E	V00
	002
	state 01/11

Rudolf von Scheven GmbH
Wuppertaler Str. 10-12 45549 Sprockhövel
www.von-scheven.com

Tel. + 49 (0)23 24 / 97 42 - 0
Fax + 49 (0)23 24 / 97 42 - 10
eMail sales@von-scheven.com

Block-ball valve steel

DN 4 - 40
PN max. 100 bar



Technical description

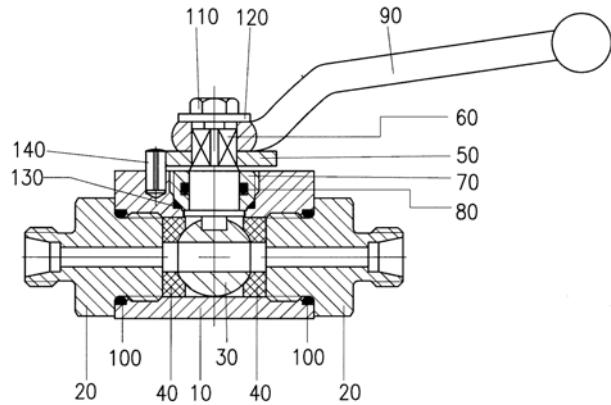
The ball valve NBA-C consists of a block body with a screwed-in connector on both sides. The spindle has an anti-blow-out-design and is assembled from the outside. Due to the screwing, the seal can easily be changed. This possibility is to be announced with your order (additional charge).

Application area

For non-aggressive fluids and gases. Furthermore, the resistiveness against the flow medium generally has to be given.

Allowed operating temperature -10 °C up to +90 °C
Differing temperatures on request.

Bill of material			
Pos.	name	material	Wnr./DIN
10	body	11SMn30	1.0715
20	connector	11SMn30	1.0715
30	ball	CuZn39Pb3 11SMn30	2.0401 1.0715
40	seal	PTFE	
50	Stopp washer	steel	
60	spindel	CuZn39Pb3	2.0401
70	fitting	CuZn39Pb3	2.0401
80	o-ring	NBR	
90	hand-lever	Z410	
100	o-ring	NBR	
110	screw		DIN EN ISO 2.4017
120	washer		DIN EN ISO 7093
130	o-ring	NBR	
140	stopp pin		DIN EN ISO 8740



Depending on the design, not all positions are used with every nominal diameter. In special types, several parts may be made of different materials.

If you have other demands, different from the here specified standard operational conditions, please feel free to request them separately.

The operating and maintenance manual and in particular the safety instructions have to be followed. They can be downloaded from www.von-scheven.com, as well as certificates and approvals.

All dimensions in mm.
Technical changes reserved.