

Product-Datasheet NBI-C

Low-pressure-block-ball valve with female thread



von Scheven

Armaturenfabrik und Apparatebau

E	V00
	000
	State 03/09

Rudolf von Scheven GmbH
Wuppertaler Str. 10-12 45549 Sprockhövel
www.von-scheven.com

Tel. + 49 (0)23 24 / 97 42 - 0
Fax + 49 (0)23 24 / 97 42 - 10
eMail sales@von-scheven.com

Block-ball valve steel

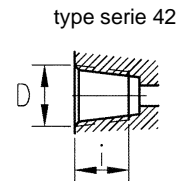
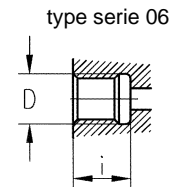
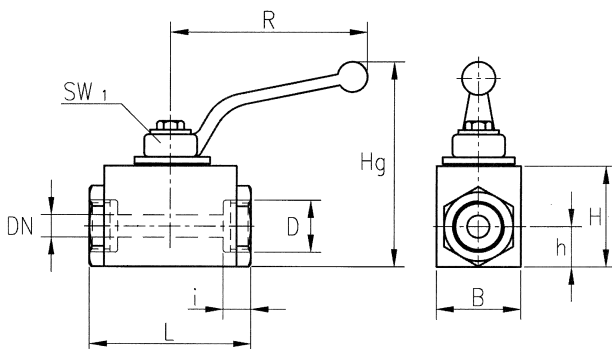
DN 4 - 40
PN max. 100 bar



face-to-face length
NBI - DIN 3202 Reihe M3

type series
06 - female thread on both sides acc. to DIN ISO 228 / 1
42 - NPT-female thread ANSI / ASME B1.20.1

approvals:
only type series 06: DVGW for gas
nominal diameter: DN4 up to DN25;
nominal pressure: PN16



Technical data type series 06 (female thread on both sides acc. to DIN ISO 228 / 1)

DN	PN	D	i	L	B	H	h	Hg	R	SW1	weight (kg)
4	100	G 1/8	11	50	25	30	12,5	61	76	7	0,3
6	100	G 1/4	12,5	50	25	30	12,5	61	76	7	0,3
10	100	G 3/8	12,5	60	30	40	15	92	112	10	0,5
15	100	G 1/2	16	75	40	50	21	90	130	10	1,0
20	63	G 3/4	18	80	45	55	25	95	130	10	1,2
25	63	G 1	20	90	55	65	31	113	160	10	2,1
32*	63	G 1 1/4	22	136 **	55	65	31	113	160	10	2,3
40*	63	G 1 1/2	23	138 **	55	65	31	113	160	10	2,5

* reduced bore 24mm

** face-to-face length differs from M3; please request special face-to-face length, if demanded.

Technical data type series 42 (NPT- female thread ANSI / ASME B1.20.1)

DN	PN	D	i	L	B	H	h	Hg	R	SW1	weight (kg)
4	100	NPT 1/8	11	50	25	30	12,5	61	76	7	0,3
6	100	NPT 1/4	12,5	50	25	30	12,5	61	76	7	0,3
10	100	NPT 3/8	12,5	60	30	40	15	92	112	10	0,5
15	100	NPT 1/2	15	75	40	50	21	90	130	10	1,0
20	63	NPT 3/4	18	80	45	55	25	95	130	10	1,2
25	63	NPT 1	20	90	55	65	31	113	160	10	2,1
32*	63	NPT 1 1/4	22	136 **	55	65	31	113	160	10	2,3
40*	63	NPT 1 1/2	23	138 **	55	65	31	113	160	10	2,5

* reduced bore 24mm

** face-to-face length differs from M3; please request special face-to-face length, if demanded.

Ordering example: ball valve type NBI-C DN15 steel with female thread acc. to DIN ISO 228/1 (type series 06)
⇒ NBI-C 15 06

Product-Datasheet NBI-C

Low-pressure-block-ball valve with female thread



von Scheven

Armaturenfabrik und Apparatebau

E	V00
	000
	State 03/09

Rudolf von Scheven GmbH
Wuppertaler Str. 10-12 45549 Sprockhövel
www.von-scheven.com

Tel. + 49 (0)23 24 / 97 42 - 0
Fax + 49 (0)23 24 / 97 42 - 10
eMail sales@von-scheven.com

Block-ball valve steel

DN 4 - 40
PN max. 100 bar



Technical description

The ball valve type NBI-C consists of a block body with a screwed-in connector on both sides. The spindle has an anti-blow-out design and is assembled from the outside.

Due to the screwing, the seal can easily be changed. The use of an actuator is possible with an extension set.

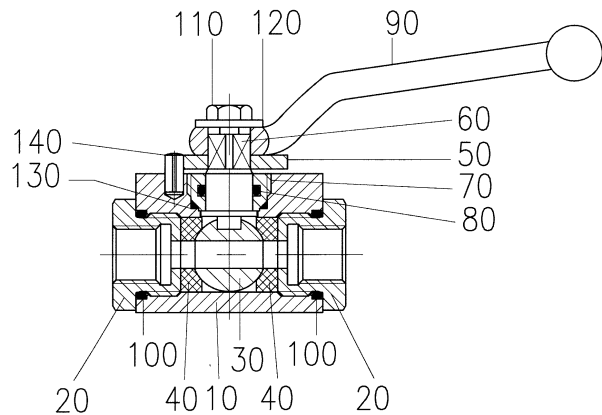
This possibility is to be announced with your order (additional charge).

Application area

For non-aggressive fluids and gases. Furthermore, the resistiveness against the flow medium generally has to be given.

Allowed operating temperature: -10°C up to +90 °C
Differing temperatures on request.

Bill of materials			
Pos.	name	material	Wnr./DIN
10	body	11SMn30	1.0715
20	thread	11SMn30	1.0715
30	ball	CuZn39Pb3	2.0401
40	seal	PTFE	
50	Stopp washer	steel	
60	spindel	CuZn39Pb3	2.0401
70	fitting	CuZn39Pb3	2.0401
80	o-ring	NBR	
90	hand-lever	Z410	
100	o-ring	NBR	
110	screw		DIN EN ISO 24017
120	washer		DIN EN ISO 7093
130	o-ring	NBR	
140	stopp pin		DIN EN ISO 8740



Depending on the design, not all positions are used with every nominal diameter. In special types, several parts may be made of different materials.

If you have other demands, different from the here specified standard operational conditions, please feel free to request them separately.

The operating and maintenance manual and in particular the safety instructions have to be followed. They can be downloaded from www.von-scheven.com, as well as certificates and approvals.

All dimensions in mm.

Technical changes reserved.